

Type: DA13-NAxx/Gxxx

Pot angle

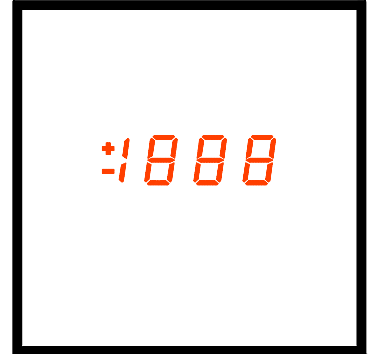
DA13-NA31/GxxR
case 96 x 24 mm



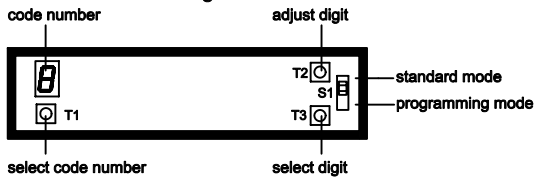
DA13-NA31/GxxG - 4
case 96 x 48 mm



DA13-NA31/GxxR - 9
case 96 x 96 mm



controls behind front glass



programming mode

code number	display	description
0		input min. display value select digit with T2 adjust digit with T1
1		take-over min. pot position with T2 (connected)
2		input max. display value select digit with T2 adjust digit with T1
3		input max. pot position with T2 (connected)
4	1...500	average value of 1-500 measurements
5	2/5/10	half correction of last digit by steps of 2, 5, 10
6	___ 0	reciprocal display value 1 = yes 0 = no
	__ 1 __	Line break indication with value falling 25% below measured (4-20mA) 0 = no 1 = yes
	_ 0 _ _	brightness adjustment (0 ... 9) 0 = highest brightness 9 = lowest brightness

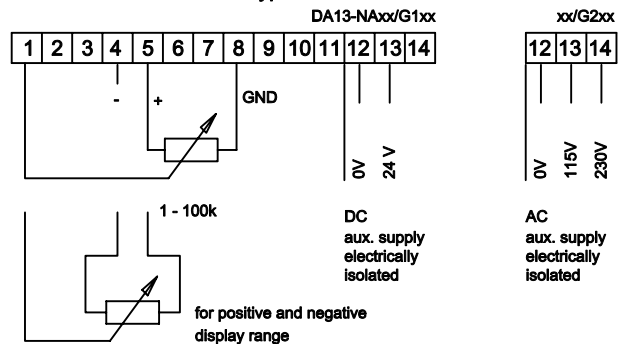
display messages

EEP	EEProm under programming
---	overflow (display segments in the middle are flashing)
- -	Line break indication with value falling below measured value

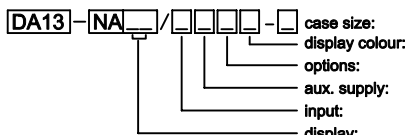
general data

aux. supply:	DA13-NAxx/G1xx	18-35 V DC
	DA13-NAxx/G2xx	115/230 V AC
power consumption:	max. 3 VA	
display max.:	programmable	
display min.:	programmable	
conversion rate:	approx. 1 per second	
principle of measurement:	Dual-Slope-Integration	
error of measurement:	+/- 0,1% of measuring value +/- 1 digit/segment	
overflow:	flashing of display segments in the middle	
average value:	adjustable from 1-500 measurements	
display height:	14 mm	

rear connector with screw-type terminals



resolution:	-1999 ... +1999	
panel cutout:	DA13-NA31/Gxxx	92(+0,8) x 22,2(+0,3) mm
	DA13-NA31/Gxxx - 4	92(+0,8) x 45(+0,6) mm
	DA13-NA31/Gxxx - 9	92(+0,8) x 92(+0,8) mm
mount.depth (without connector)	114 mm (102 mm)	
bezel height:	7,5 mm	



without indication:	= 96 x 24 mm	4 = 96 x 48 mm	9 = 96 x 96 mm
R = red	G = green		
look chapter end of datasheet			
1 = 24 V DC	2 = 115/230 V AC		
G = ohm/pot/angle			
31 = 3-1/2 digits			

GS Gebhardt & Schäfer Industrie-Elektronik GmbH

Porschestraße 11
D-51381 Leverkusen
Tel. +49 (0) 21 71 / 73 72 2 -0
Fax +49 (0) 21 71 / 73 72 2 -39
Internet: <http://www.GS-GmbH.de>
E-Mail: info@GS-GmbH.de

Kölner Bank eG
IBAN: DE62 3716 0087 0940 9250 10
BIC: GENODED1CGN
Kreissparkasse Köln
IBAN: DE65 3705 0299 0312 0061 45
BIC: COKSDE33

Deutsche Bank AG
IBAN: DE30 3757 0024 0851 0851 00
BIC: DEUTDE33
Foreign Payments:
Account-No. 851 085 1
S.W.I.F.T. DEUTDEB 375

Geschäftsführer: 2.6
Karlheinz Schäfer
Guido Gebhardt
USt.-Nr. DE 123713297
Amtsgericht Köln, HRB 48860
D-U-N-S@: 340802073