

Type: DA13-NA31/Lxxx

PT1000 TEMPERATURE



DA13-NA31/LxxR
case 96 x 24 mm



DA13-NA31/LxxG - 4
case 96 x 48 mm



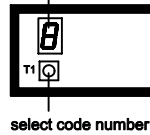
DA13-NA31/LxxR - 9
case 96 x 96 mm



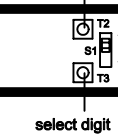
number of digits

Article	Display
DA13-NA31/Lxxx	±1888

controls
behind front glass
code number



adjust digit



programming mode
standart mode

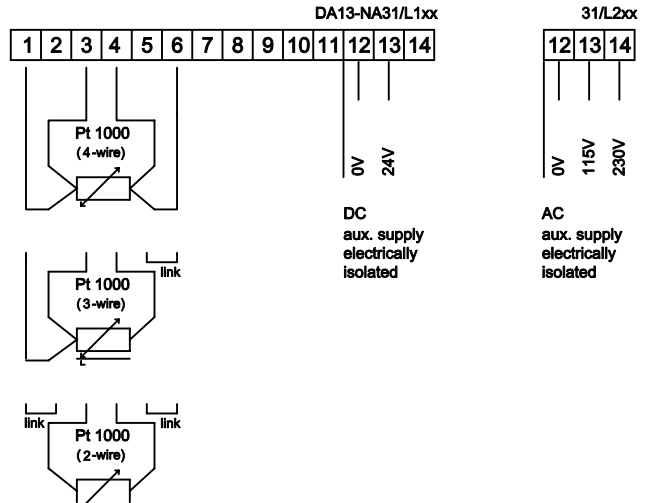
select code number

select digit

programming mode

code number	display	description
0	___ 1	PT1000 0-199,9 °C
	___ 2	PT1000 0-800 °C
	___ °C	PT1000 °Celsius
	___ °F	PT1000 °Fahrenheit
1	— — — —	zero adjustment PT1000 2-/3-wire
	— — — 0	brightness adjustment (0 ... 9) 0 = highest brightness 9 = lowest brightness
	— 1 — —	carry out zero adjustment
2	— 0 — —	delete zero adjustment
	— — — —	zero adjustment take over with T3

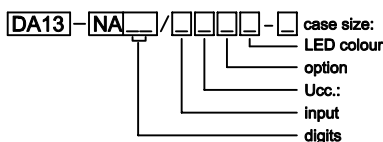
rear connector with screw-type terminals



general data

aux. supply:	DA13-NAxx/L1xx	18-35 V DC
	DA13-NAxx/L2xx	115/230 V AC
power consumption:	max. 3 VA	
measuring range:	PT1000	-100,0 to 199,9 °C
		-200 to +800 °C
		-100,0 to 199,9 °F
		-200 to +1472 °F
conversion rate:	approx. 1 per second	
principle of measurement:	Dual-Slope-Integration	
error of measurement:	+/- 0,1% of measuring value	
	+/- 1 digit/segment	
resolution:	+/- 1 K	(PT1000 200 °C: +/- 0,1 °K)

overflow:	lighting-up of middle segments
display height:	14 mm
mount.depth (without connector)	114 mm (102 mm)
panel cutout:	DA13-NA31/Lxxx : 92(+0,8) x 22,2(+0,3) mm
	DA13-NA31/Lxxx - 4 : 92(+0,8) x 45(+0,6) mm
	DA13-NA31/Lxxx - 9 : 92(+0,8) x 92(+0,8) mm
bezel height:	7,5 mm
controls behind front glass	



without indication:	= 96 x 24 mm	4 = 96 x 48 mm	9 = 96 x 96 mm
R = red	G = green		
look chapter end of datasheet			
1 = 24 V DC	2 = 115/230VAC		
L = PT1000 temperature			
31 = 3-1/2 digits			

GS Gebhardt & Schäfer Industrie-Elektronik GmbH

Porschstrasse 11
D-51381 Leverkusen
Tel. +49 (0) 21 71 / 73 72 2 -0
Fax +49 (0) 21 71 / 73 72 2 -39
Internet: <http://www.GS-GmbH.de>
E-Mail: info@GS-GmbH.de

Kölner Bank eG
IBAN: DE62 3716 0087 0940 9250 10
BIC: GENODED1CGN
Kreissparkasse Köln
IBAN: DE65 3705 0299 0312 0061 45
BIC: COKSDE33

Deutsche Bank AG
IBAN: DE30 3757 0024 0851 0851 00
BIC: DEUTDE3375
Foreign Payments:
Account-No. 851 085 1
S.W.I.F.T. DEUTDEDB 375

Geschäftsführer:
Karlheinz Schäfer
Guido Gebhardt
USt.-Nr. DE 123713297
Amtsgericht Köln, HRB 48860
D-U-N-S@: 340802073