

Type: **DA20-NA31/Mxxx**

**PT100 TEMPERATURE**

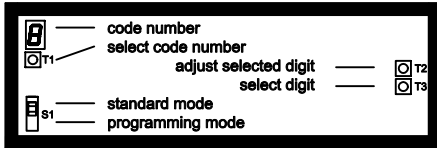
DA20-NA31/MxxR  
case 144 x 48 mm



DA20-NA31/MxxR -4  
case 144 x 72 mm



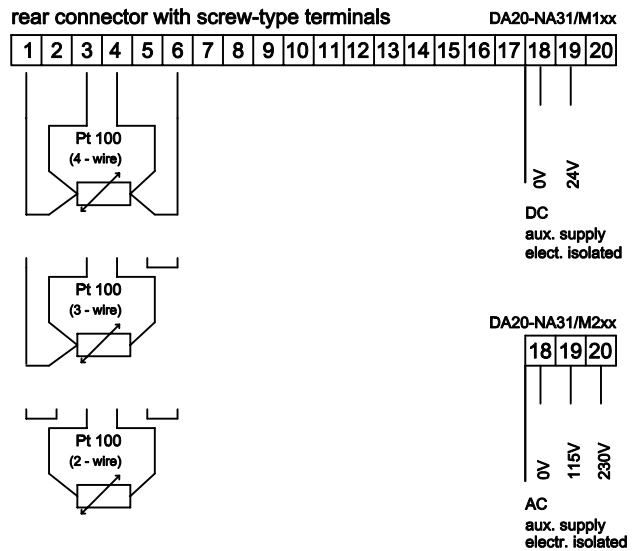
controls behind front glass



**programming mode**

doce number	display	description
0	___ 1	PT100 0-199,9 °C
	___ 2	PT100 0-800 °C
	□ C	PT100 °Celsius
	□ F	PT100 °Fahrenheit
1	— — — —	zero-adjustment for PT100 2-/3-wire
	— 1 — —	carry out zero-adjustment
	— 0 — —	delete zero-adjustment
2		zero-adjustment take-over with T3

**rear connector with screw-type terminals**



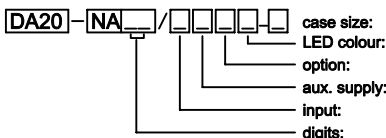
**technical data**

aux. supply:	DA20-NA31/M1xx 18-35 V DC
	DA20-NA31/M2xx 115/230V AC
power consumption:	max. 5 VA
measuring range:	PT100 -100,0 to +199,9 °C
	PT100 -200 to +800 °C
	PT100 -100,0 to +199,9 °F
	PT100 -200 to +1472 °F
conversion rate:	approx. 1 per second
principle of measurement:	dual-slope-integration
error of measurement:	+/- 0,01% of measured value, +/- 1 digit
resolution:	+/- 1 K (PT100 200°C: +/- 0,1 K)
display height:	20 mm

**display messages**

EEP	EEProm under programming
----	overflow (lighting-up of middle segments)
⊥	line-break indication

panel cutout:	DA20-NA31/Mxxx	138(+1,0) x 45(+0,6) mm
	DA20-NA31/Mxxx - 4	138(+1,0) x 68(+0,7) mm
mount.depth (without connector):	114 mm ( 102 mm)	
bezel height:	8,5 mm	



Ohne Angaben	= 144x 48 mm	4 = 144 x 72 mm
R = Rot	G = Grün	
look datasheet end of chapter		
1 = 24 V DC	2 = 115/230 V AC	
M = PT100 Temperature		
31 = 3-1/2 digits		

**GS Gebhardt & Schäfer Industrie-Elektronik GmbH**

Porschestrasse 11  
D-51381 Leverkusen  
Tel. +49 (0) 21 71 / 73 72 2 -0  
Fax +49 (0) 21 71 / 73 72 2 -39  
Internet: <http://www.GS-GmbH.de>  
E-Mail: [info@GS-GmbH.de](mailto:info@GS-GmbH.de)

Kölner Bank eG  
IBAN: DE62 3716 0087 0940 9250 10  
BIC: GENODE33  
Kreissparkasse Köln  
IBAN: DE65 3705 0299 0312 0061 45  
BIC: COKSDE33

Deutsche Bank AG  
IBAN: DE30 3757 0024 0851 0851 00  
BIC: DEUTDE33  
Foreign Payments:  
Account-No. 851 085 1  
S.W.I.F.T. DEUTDEB 375

Geschäftsführer:  
Karlheinz Schäfer  
Guido Gebhardt  
USt.-Nr. DE 123713297  
Amtsgericht Köln, HRB 48860  
D-U-N-S®: 340802073