

Type: **DA25-NA40/Mxxx**

PT100 TEMPERATURE

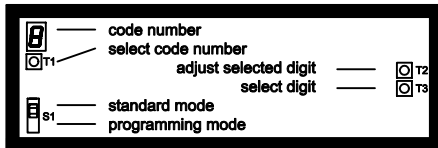
DA25-NA40/MxxR
case 144 x 48 mm



DA25-NA40/MxxR -4
case 144 x 72 mm



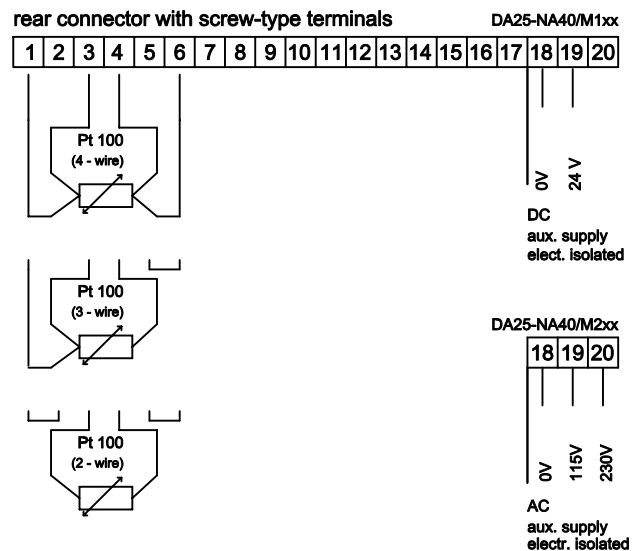
controls behind front glass



programming mode

code number	display	description
0	___ 1	PT100 0-199,9 °C
	___ 2	PT100 0-800 °C
	□ C	PT100 °Celsius
	□ F	PT100 °Fahrenheit
1	--- --	zero-adjustment for PT100 2-/3-wire
	-. 1. --	carry out zero-adjustment
	-. 0. --	delete zero-adjustment
2		zero-adjustment take-over with T3

rear connector with screw-type terminals



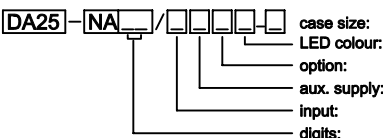
technical data

aux. supply:	DA25-NA40/M1xx 18-35 V DC
	DA25-NA40/M2xx 115/230V AC
power consumption:	max. 5 VA
measuring range:	PT100 -100,0 to +199,9 °C
	PT100 -200 to +800 °C
	PT100 -100,0 to +199,9 °F
	PT100 -200 to +1472 °F
conversion rate:	approx. 1 per second
principle of measurement:	dual-slope-integration
error of measurement:	+/- 0,1% of measured value, +/- 1 digit
resolution:	+/- 1 K (PT100 200°C: +/- 0,1 K)
display height:	25 mm

display messages

EEP	EEProm under programming
----	overflow (lighting-up of middle segments)
⊥	line-break indication

panel cutout:	DA25-NA40/Mxxx	138(+1,0) x 45(+0,6) mm
	DA25-NA40/Mxxx - 4	138(+1,0) x 68(+0,7) mm
mount.depth (without connector):	114 mm (102 mm)	
bezel height:	8,5 mm	



without indication:	= 144x 48 mm	4 = 144 x 72 mm
R = red	G = green	
look datasheet end of chapter		
1 = 24 V DC	2 = 115/230 V AC	
M = PT100 Temperature		
40 = 4 digits		

GS Gebhardt & Schäfer Industrie-Elektronik GmbH

Porschestraße 11
D-51381 Leverkusen
Tel. +49 (0) 21 71 / 73 72 2 -0
Fax +49 (0) 21 71 / 73 72 2 -39
Internet: <http://www.GS-GmbH.de>
E-Mail: info@GS-GmbH.de

Kölner Bank eG
IBAN: DE62 3716 0087 0940 9250 10
BIC: GENODED1CGN
Kreissparkasse Köln
IBAN: DE65 3705 0299 0312 0061 45
BIC: COKSDE33

Deutsche Bank AG
IBAN: DE30 3757 0024 0851 0851 00
BIC: DEUTDEDB375
Foreign Payments:
Account-No. 851 085 1
S.W.I.F.T. DEUTDEDB 375

Geschäftsführer: 2.5
Karlheinz Schäfer
Guido Gebhardt
USt.-Nr. DE 123713297
Amtsgericht Köln, HRB 48860
D-U-N-S®: 340802073