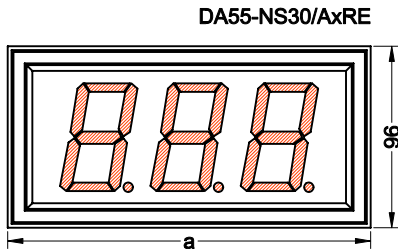


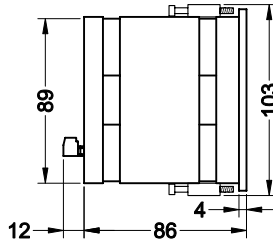
Type: DA55-NSxx/AxxE

serial interface

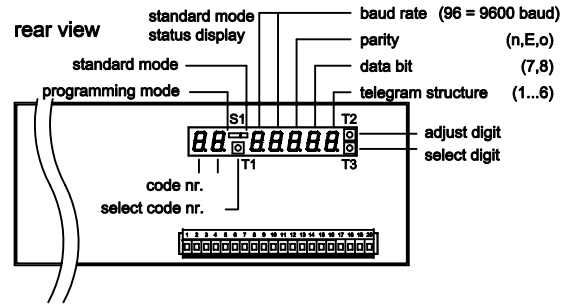
front view



side view



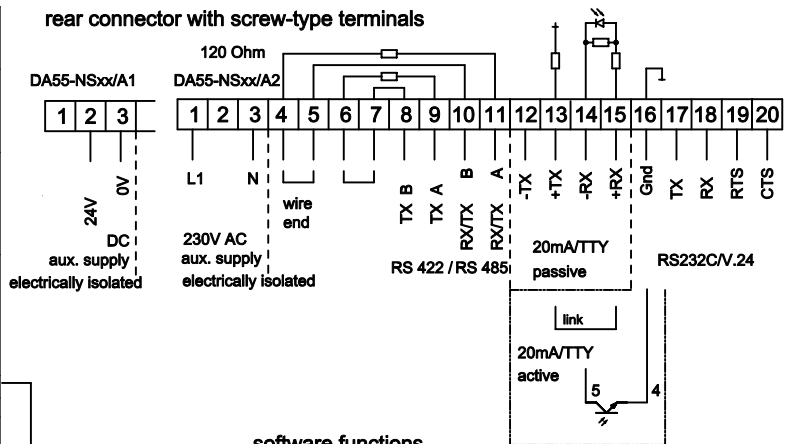
rear view



programming

| code nr. | display | description | |
|----------|---|--|--|
| | 0 0 0 0 0 | | |
| 0 | 0 1 2 3 | interface | RS232 20mA/TTY RS485 RS422 |
| 1 | 1 2 0 0 2 4 0 0 4 8 0 0 9 6 0 0 1 9 2 0 0 | baud rate | 1200 Baud 2400 Baud 4800 Baud 9600 Baud 19200 Baud |
| 2 | 1 2 3 4 5 | data format | parity none E even O odd E even O odd |
| | | | data bit 8 Bit 7 Bit 7 Bit 8 Bit 8 Bit |
| 3 | 1 2 3 4 5 6 | telegram structure | |
| | | D1 ... Dn | time distance between 2 teleg. min. 200ms |
| | | STX | D1 ... Dn ETX |
| | | STX | address address D1 ... Dn ETX |
| | | SOH | address address STX D1 ... Dn ETX |
| | | D1 ... Dn | CR/LF |
| | | D1 ... Dn | CR |
| 4 | 0 0 - 1 9 9 | device address 00 ... 99 (100 addresses adjustable) | address 1 one figure (-0 ... -9) address 99 two figure (00 ... 99) |
| 5 | 0 1 | presage zero blank-out 0 = without 1 = with | direction of writing right → left direction of writing left → right |
| 6 | 0 0 9 9 | suppression up to 99 leading signs | |
| 7 | 0 0 1 | 0 = without comma 1 .. n = comma place 10 ¹ - 10 ⁿ (2..n Digit) | at negative value underline deactivated " minus + underline deactivated " - - - - |
| 8 | 0 0 0 1 9 9 | timeout function deactivated | 0 1 - 99 Sek. after the last telegram shows the display - - <i>ft</i> - |

rear connector with screw-type terminals



software functions

| function | ASCII | description |
|----------------------|-------|--|
| segment test | \$0 | segment test on until receiving next data telegram |
| leading zeros | \$1 | leading zeros displayed |
| zeros | \$2 | leading zeros suppressed |
| blinking sign | \$32 | 2 is blinking |
| blinking display | \$4 | blinking display on |
| | \$5 | blinking display off |
| direction of writing | \$6 | left → right |
| | \$7 | right → left |

case dimensions

| DA55 | aluminium mounting-case powder seam black | front-plate cutout |
|---------------------|---|--------------------|
| DA55-NS __ /xxx E D | DA55-NS __ /xxx E D1 | width [a] |
| 30 | 30 | 192 |
| 40 | 40 | 240 |
| 50 | 50 | 288 |
| 60 | 60 | 336 |
| | 60 | 384 |
| | 60 | 432 |

If you set under the code number 4 (-0...-9) an address will the telegramstructure be changed

technical data :

| | | |
|---------------------|-----------------|-----------------|
| power supply : | DA55-NSxx/A1... | 18 - 35 V DC |
| | DA55-NSxx/A2... | 100 - 240 V AC |
| current reception : | | max. 12 VA |
| temperature area : | | -20 °C...+65 °C |
| display high : | | 57 mm |
| LED colour : | | red or green |
| protection kind : | | IP65 front site |

sign rate:

| Hex | 20 | 2C | 2D | 2E | 30 | 31 | 32 | 33 | 34 | 35 | 36 | 37 | 38 | 39 | 3D | 41 | 43 | 45 | 46 | 48 | 4C | 50 | 55 | 5D | 5F | 62 | 63 | 64 | 68 | 6E | 6F | 72 | 75 | 78 | 7E |
|-------|----|----|----|----|----|----|----|----|----|----|----|----|----|----|----|----|----|----|----|----|----|----|----|----|----|----|----|----|----|----|----|----|----|----|----|
| Digit | . | - | . | 0 | 1 | 2 | 3 | 4 | 5 | 6 | 7 | 8 | 9 | - | A | C | E | F | H | L | P | U |] | - | b | c | d | h | n | o | r | u | □ | † | |

| | | | | | | | | | | | | | | | | | | | | | | | | | | | | |
|------------------|-------------------------------------|---|---|---|---|---|---|---------------------|--|--|--|--|--|--|---------------|--|--|--|--|--|--|---------------|--|--|--|--|--|--|
| DA55 - NS | □ | / | □ | □ | □ | E | □ | | | | | | | | | | | | | | | | | | | | | |
| dimension : | D = max. 2 figures | | | | | | | D1 = max. 4 figures | | | | | | | | | | | | | | | | | | | | |
| display color : | R = red | | | | | | | G = green | | | | | | | | | | | | | | | | | | | | |
| aux. supply : | 1 = 24V DC | | | | | | | 2 = 230V AC | | | | | | | | | | | | | | | | | | | | |
| input : | A = RS232C/V24 20mA/TTY RS422 RS485 | | | | | | | | | | | | | | | | | | | | | | | | | | | |
| number of digits | 30 = 3 digits | | | | | | | 40 = 4 digits | | | | | | | 50 = 5 digits | | | | | | | 60 = 6 digits | | | | | | |

GS Gebhardt & Schäfer Industrie-Elektronik GmbH

Porschestraße 11
D-51381 Leverkusen
Tel. +49 (0) 21 71 / 73 72 2 -0
Fax +49 (0) 21 71 / 73 72 2 -39
Internet: <http://www.GS-GmbH.de>
E-Mail: info@GS-GmbH.de

Kölner Bank eG
IBAN: DE62 3716 0087 0940 9250 10
BIC: GENODED1CGN
Kreissparkasse Köln
IBAN: DE65 3705 0299 0312 0061 45
BIC: COKSDE33

Deutsche Bank AG
IBAN: DE30 3757 0024 0851 0851 00
BIC: DEUTDE3375
Foreign Payments:
Account-No. 851 085 1
S.W.I.F.T. DEUTDEB 375

Geschäftsführer:
Karlheinz Schäfer
Guido Gebhardt
USt.-Nr. DE 123713297
Amtsgericht Köln, HRB 48860
D-U-N-S@: 340802073