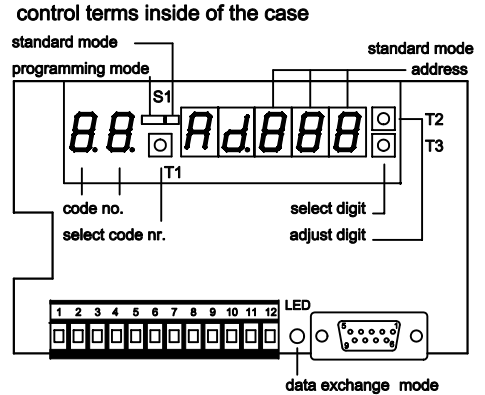
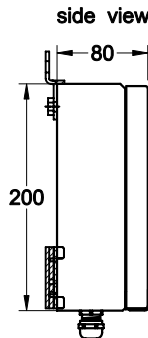
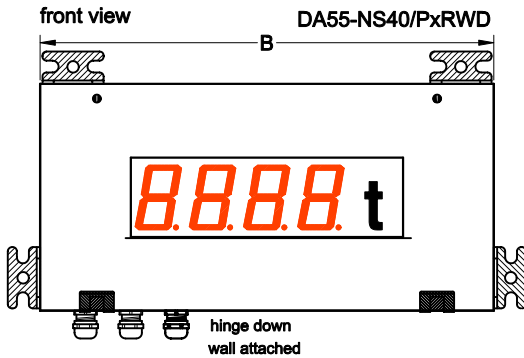


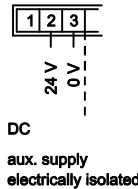
# Type: DA55-NSxx/PxxW

## interface ProfiBus DP

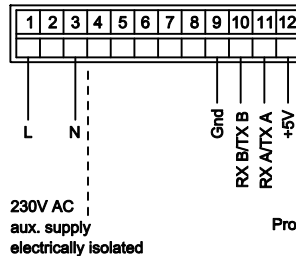


### screw-type terminals

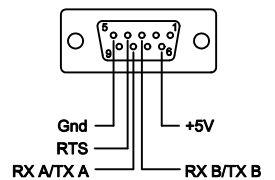
DA55-NSxx/P1



DA55-NSxx/P2



9pin Sub-D port



### programming

code no.	display	description
0	Pr 0 0 0 1 2 7	address 1. device 128. device select digit with T3 adjust digit with T2
1	Pr 1 0 1	code BCD ASCII
	EEP	data will be saved

### case dimensions

DA55			steel tin mounting case powder-coated RAL 9005			outside measurement		
DA55-NS __/xxxW	DA55-NS __/xxxW D	DA55-NS __/xxxW D1				width	height	depth
30	30					300	200	80
40	40							
50	50	30				400	200	80
60	60	40						
	60	50				500	200	80
		60						

### technical data:

power supply:	DA55-NSxx/P1...	18 - 35 V DC
	DA55-NSxx/P2...	100 - 240 V AC/DC
power consumption:	max. 12 VA	
temperature range :	-20 °C...+65 °C	
display height:	57 mm	
LED colour :	red or green	
baud rate (self-acting recognition):	≤ 12 Mbaud	
address (0 ...127):	inside of the shell, input over keypad	
protocol:	Profibus-DP	
hardware:	SPC3 Feldbus side electrically isolated	
protection kind:	IP65	

### telegram structure ASCII

Byte	description	ASCII
1.	Digit 1 $\cong 10^0$	3xH
2.	Digit 2 $\cong 10^1$	3xH
3.	Digit 3 $\cong 10^2$	3xH
4.	Digit 4 $\cong 10^3$	3xH
5.	Digit 5 $\cong 10^4$	3xH
6.	Digit 6 $\cong 10^5$	3xH
7.		
8.	free	

decimal point at every position insertable

### telegram structure BCD

byte	function	
1.	$10^1$	$10^0$
2.	$10^3$	$10^2$
3.	$10^5$	$10^4$
4.	free	free
5.	X X X X	X X X X
6.	free	free
7.	X X X X	X X X X
8.	free	dec.point
	0 0 0 0	0 0 0 0
	0 0 0 1	0 0 0 0,0
	0 0 1 0	0 0 0 0,00
	0 0 1 1	0 0 0 0,000
	0 1 0 0	0 0 0 0,0000
	0 1 0 1	0 0 0 0,00000

### character set:

Hex	20	2C	2D	2E	30	31	32	33	34	35	36	37	38	39	3D	41	43	45	46	48	4C	50	55	5D	5F	62	63	64	68	6E	6F	72	75	78	7E
Digit	.	-	0	1	2	3	4	5	6	7	8	9	=	A	C	E	F	H	L	P	U	]	_	b	c	d	h	n	o	r	u	□	4	≡	

DA55-NS□/P□□W□

dimension : D = max. 2 figures    D1 = max. 4 figures  
 LED Colour : R = red    G = green  
 aux. supply: 1 = 24V DC    2 = 230V AC/DC  
 input : P = Profi Bus DP  
 number of digits 30 = 3 digits    40 = 4 digits    50 = 5 digits    60 = 6 digits

### GS Gebhardt & Schäfer Industrie-Elektronik GmbH

Porschestraße 11  
 D-51381 Leverkusen  
 Tel. +49 (0) 21 71 / 73 72 2 -0  
 Fax +49 (0) 21 71 / 73 72 2 -39  
 Internet: <http://www.GS-GmbH.de>  
 E-Mail: [info@GS-GmbH.de](mailto:info@GS-GmbH.de)

Kölner Bank eG  
 IBAN: DE62 3716 0087 0940 9250 10  
 BIC: GENODED1CGN  
 Kreissparkasse Köln  
 IBAN: DE65 3705 0299 0312 0061 45  
 BIC: COKSDE33

Deutsche Bank AG  
 IBAN: DE30 3757 0024 0851 0851 00  
 BIC: DEUTDE3375  
 Foreign Payments:  
 Account-No. 851 085 1  
 S.W.I.F.T. DEUTDEB3 375

Geschäftsführer:  
 Karlheinz Schäfer  
 Guido Gebhardt  
 USt.-Nr. DE 123713297  
 Amtsgericht Köln, HRB 48860  
 D-U-N-S®: 340802073