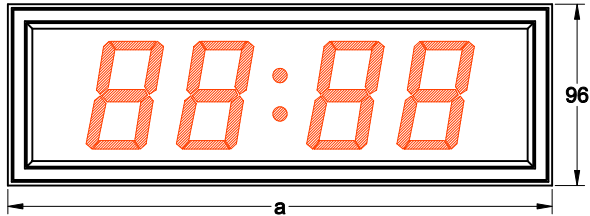


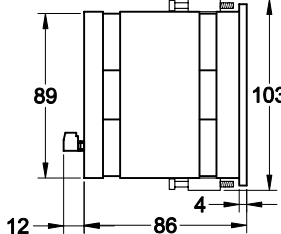
Type: DA55-NUxx/DxxxE
 date / time
 quartz clock (DCF77)

time mode

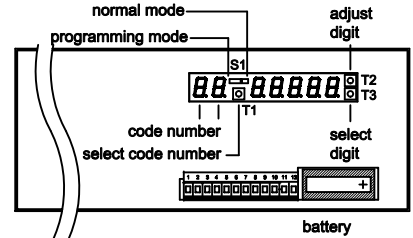


DA55-NU40/DxxxE

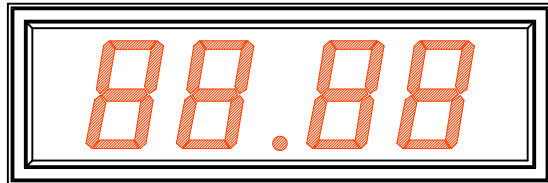
side view



rear view



date mode



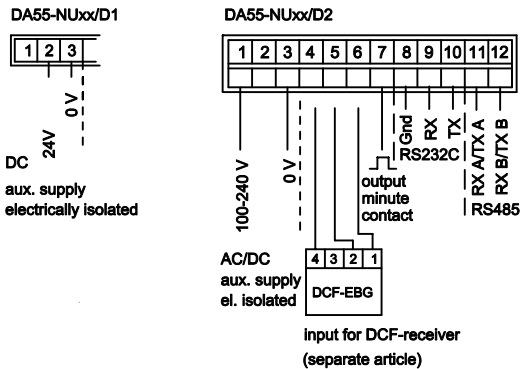
case dimensions

DA55	aluminium case powder seam		bezel width [a]	cutout panel w x h
	case depth (with terms): 86 (98) mm			
DA55-NU __ /DxxxE				
time mode		date mode		
40	88:88	40	88.88	288
60	88:88:88	60	88.88.88	384

programming

code number	display	description
0	0 0 0 0	adjust time
1	0 0 0 0	adjust date
2	0 0 0 0	adjust year
3	- - P - -	take-over time with T3
4	0 0	alternating date / time is displayed
	0 1	only time is displayed
	0 2	only date is displayed
5	max. 99	time length for time is displayed
6	max. 99	time length for date is displayed
7	0 - 9	brightness adjustment
		0 = bright 9 = dark

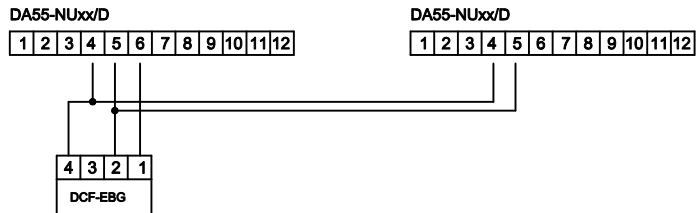
rear connector with screw-type terminals



technical data

aux. supply :	DA55-NUxx/D1...	18 - 35 V DC
	DA55-NUxx/D2...	100 - 240 V AC/DC
power consumption :	max. 12 VA	
temperature range:	-20 °C...+65 °C	
display height :	57 mm	
display colour :	red or green	
protection type :	IP65 from front	

wire reference for 2 clocks and 1 DCF-EBG



DA55-NU__ / D__0__E

display colour :
 aux. supply :
 display :

R = red	G = green
1 = 24V DC	2 = 230V AC
40 = 4 digits	60 = 6 digits