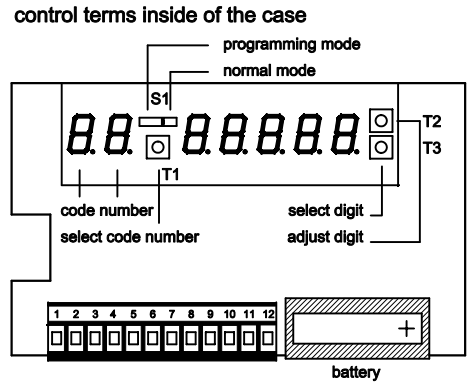
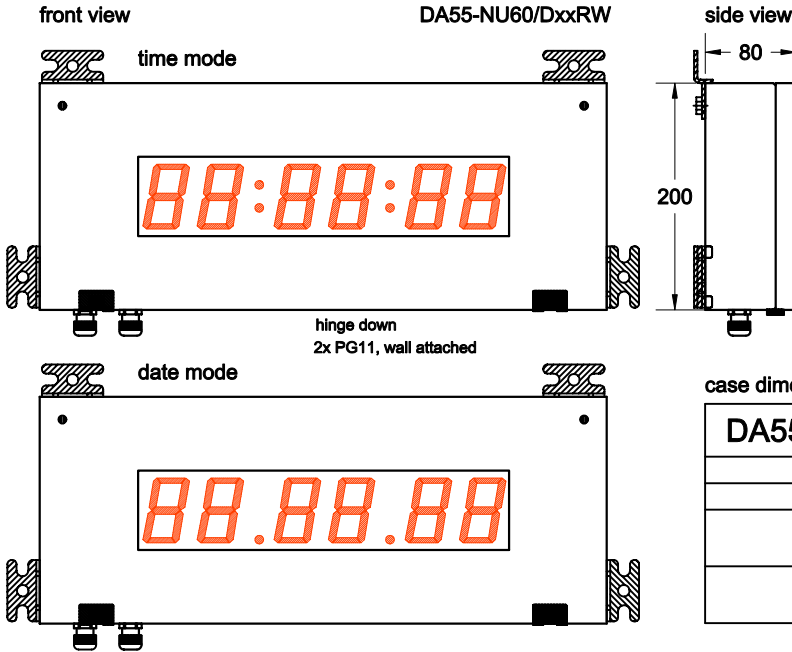


**Type: DA55-NUxx/DxxxW**  
**date / time**  
**quartz clock (DCF77)**



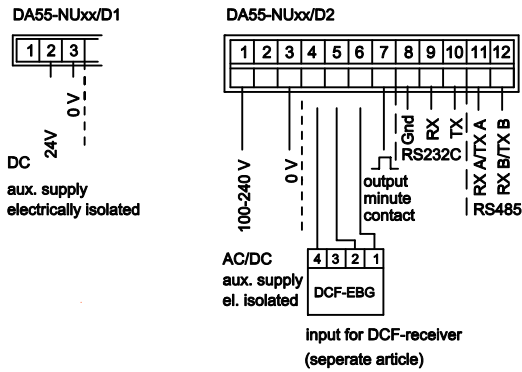
**case dimensions**

DA55	steel tin mounting case powder seam RAL 7032		outside dimensions mm		
	DA55-NU __ /DxxxW		width x height x depth		
	time display	date display			
40	BB:BB	40 BB.BB	400	200	80
60	BB:BB:BB	60 BB.BB.BB	500		

**programming**

code number	display	description
0	0 0 0 0	adjust time
1	0 0 0 0	adjust date
2	0 0 0 0	adjust year
3	- - P - -	take-over time with T3
4	0 0	alternating date / time is displayed
	0 1	only time is displayed
	0 2	only date is displayed
5	max. 99	time length for time is displayed
6	max. 99	time length for date is displayed
7	0 - 9	brightness adjustment
		0 = bright 9 = dark

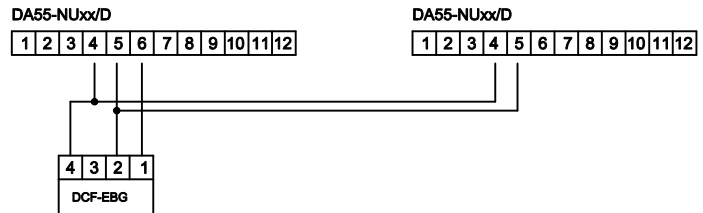
**screw-type terminals**



**technical data**

aux. supply :	DA55-NUxx/D1...	18 - 35 V DC
	DA55-NUxx/D2...	100 - 240 V AC/DC
power consumption :	max. 12 VA	
temperature range :	-20 °C...+65 °C	
display height :	57 mm	
display colour :	red or green	
protection type :	IP65 from front	

**wire reference for 2 clocks and 1 DCF-EBG**



DA55-NU\_\_/D\_\_0\_\_W

display colour :	R = red	G = green
aux. supply :	1 = 24V DC	2 = 230V AC
display :	40 = 4 digits	60 = 6 digits

**GS Gebhardt & Schäfer Industrie-Elektronik GmbH**

Porschestr. 11  
D-51381 Leverkusen  
Tel. +49 (0) 21 71 / 73 72 2 -0  
Fax +49 (0) 21 71 / 73 72 2 -39  
Internet: <http://www.GS-GmbH.de>  
E-Mail: [info@GS-GmbH.de](mailto:info@GS-GmbH.de)

Kölner Bank eG  
IBAN: DE62 3716 0087 0940 9250 10  
BIC: GENODED1CGN  
Kreissparkasse Köln  
IBAN: DE65 3705 0299 0312 0061 45  
BIC: COKSDE33

Deutsche Bank AG  
IBAN: DE30 3757 0024 0851 0851 00  
BIC: DEUTDE33  
Foreign Payments:  
Account-No. 851 085 1  
S.W.I.F.T. DEUTDE33

Geschäftsführer:  
Karlheinz Schäfer  
Guido Gebhardt  
USt.-Nr. DE 123713297  
Amtsgericht Köln, HRB 48860  
D-U-N-S@: 340802073