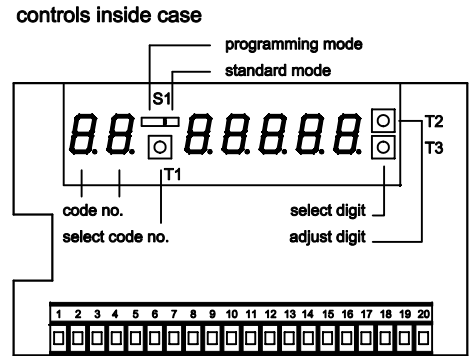
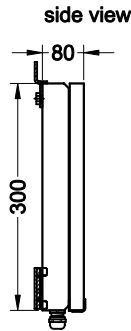
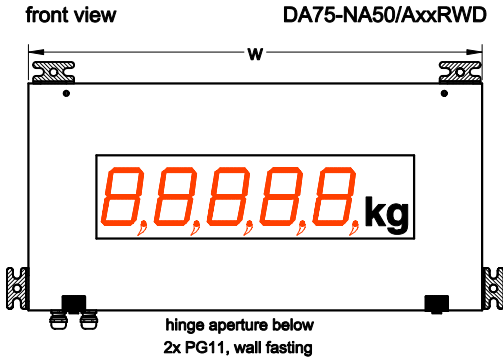


Type: DA75-NAxx/AxxxW

DC current/voltage



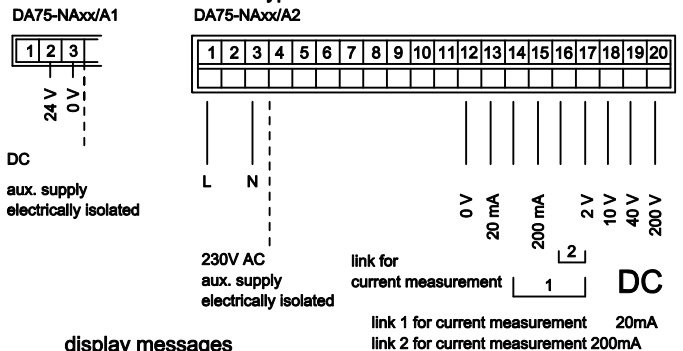
case dimensions

DA75			steel tin mounting case powder-coated RAL 9005			outside measurement		
DA75-NA _ _ /xxxW	DA75-NA _ _ /xxxW D	DA75-NA _ _ /xxxW D1	w	x	h	x	d	
30					400			
40	30				300			
50	40			500				
	50				600			
		40		600				
		50						

programming instructions

code no	display	description
0		min. display value
1	P-L	takeover of min. input signal with T3 (min. input signal has to be applied)
2		max. display value
3	P-H	takeover of max. input signal with T3 (max. input signal has to be applied)
4	--99 -L--	average value of 1-99 measurements line-break indication with value falling 25% below -- = no L = yes
5	2/5/10	rounding of last digits in steps of 2,5 or 10

rear connector with screw-type terminals



display messages

Pr	EEProm under programming
----	overflow (flashing of display segments in the middle)
⊥	Leitungsbruchanzeige (Meßwertunterschreitung)

technical data

aux. supply:	DA75-NAxx/A1xxWD	18-35 V DC
	DA75-NAxx/A2xxWD	100-240 V AC/DC
power consumption:	max. 15 VA	
temperature range:	-20 °C ... +65 °C	
measuring range (V):	2V / 10V / 40V / 200V	
measuring range (A):	20mA / 200mA	
display max.:	free programmable	
display min.:	free programmable	
principle of measurement:	Dual-Slope-Integration	
error of measurement:	+/- 0,1% of measured value +/- 1 digit/segment	
overflow:	flashing of display segments in the middle	
average value:	adjustable of 1-99 measurements	
rounding last digit:	adjustable in steps of 2, 5, or 10 steps	

input resistance	terminal	Ri
	17	100 kOhm
	18	560 kOhm
	19	2,2 MOhm
	20	12 MOhm
	13	100 Ohm
	15	10 Ohm
display:	76 mm, LED red or green	
resolution:	..NA30..	-199 ...999
	..NA40..	-1999 ...9999
	..NA50..	-19999 ...99999
protection kind:	IP65	

DA75 - NA	dimension: D = max. 2 signs	D1 = max. 4 signs
/	display colour: R = red	G = green
/	aux. supply: 1 = 24V DC	2 = 230V AC
/	input: A = DC current/voltage	
/	display: 30 = 3 digits	40 = 4 digits
		50 = 5 digits

GS Gebhardt & Schäfer Industrie-Elektronik GmbH

Porschestr. 11
D-51381 Leverkusen
Tel. +49 (0) 21 71 / 73 72 2 -0
Fax +49 (0) 21 71 / 73 72 2 -39
Internet: <http://www.GS-GmbH.de>
E-Mail: info@GS-GmbH.de

Kölner Bank eG
IBAN: DE62 3716 0087 0940 9250 10
BIC: GENODED1CGN
Kreissparkasse Köln
IBAN: DE65 3705 0299 0312 0061 45
BIC: COKSDE33

Deutsche Bank AG
IBAN: DE30 3757 0024 0851 0851 00
BIC: DEUTDE33
Foreign Payments:
Account-No. 851 085 1
S.W.I.F.T. DEUTDEB 375

Geschäftsführer:
Karlheinz Schäfer
Guido Gebhardt
USt.-Nr. DE 123713297
Amtsgericht Köln, HRB 48860
D-U-N-S@: 340802073