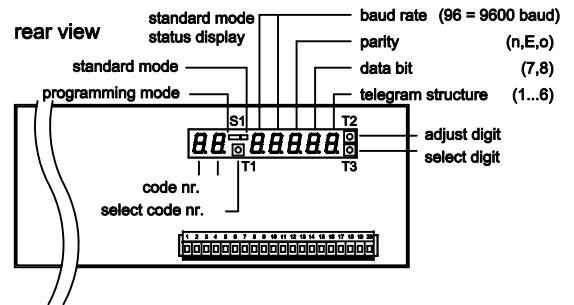
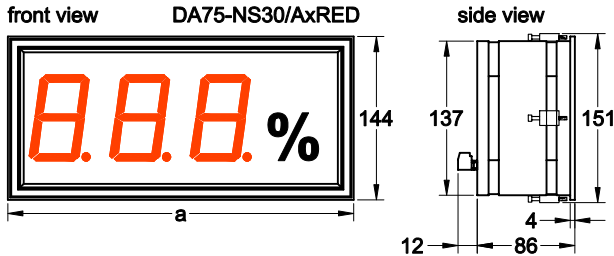


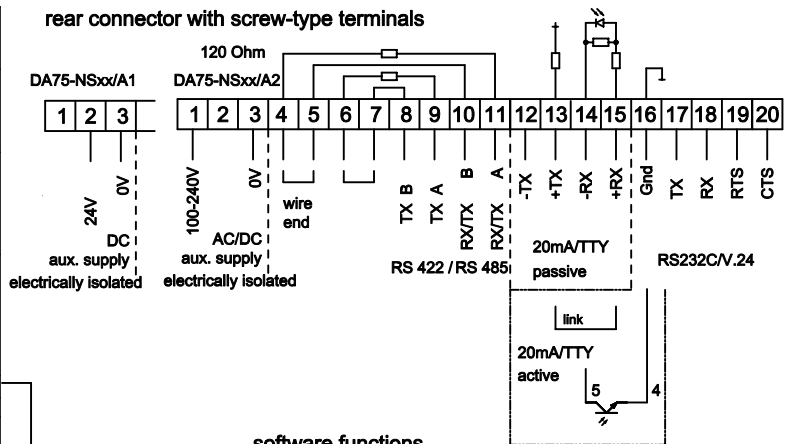
# Type: DA75-NSxx/AxxE serial interface



## programming

code nr.	display	description	
	0 0 0 0 0		
0	0	interface	RS232
	1		20mA/TTY
	2		RS485
	3		RS422
1	1 2 0 0	baud rate	1200 Baud
	2 4 0 0		2400 Baud
	4 8 0 0		4800 Baud
	9 6 0 0		9600 Baud
	1 9 2 0 0		19200 Baud
2	1	data format	parity
	2	n	none
	3	E	even
	4	O	odd
	5	A	odd
3	telegram structure		
	1	D1 ... Dn	time distance between 2 teleg. min. 200ms
	2	STX	D1 ... Dn ETX
	3	STX	address address D1 ... Dn ETX
	4	SOH	address address STX D1 ... Dn ETX
	5	D1 ... Dn	CR/LF
6	D1 ... Dn	CR	
4	0 0	device address 00 ... 99 (100 addresses adjustable)	
	- 1	address 1 one figure (-0 ... -9)	
	9 9	address 99 two figure (00 ... 99)	
5	0	presage zero blank-out 0 = without 1 = with	
	1	direction of writing right → left	
6	0 0	suppression up to 99 leading signs	
	9 9		
7	0	0 = without comma	
	0	1 .. n = comma place 10 <sup>1</sup> - 10 <sup>n</sup> (2..n Digit)	
	1	at negative value underline deactivated	
8	0 0	timeout function deactivated	
	0 1	01 - 99 Sek. after the last telegram	
	9 9	shows the display -- f f --	

## rear connector with screw-type terminals



## software functions

function	ASCII	description
segment test	\$0	segment test on until receiving next data telegram
leading zeros	\$1	leading zeros displayed
	\$2	leading zeros suppressed
blinking sign	\$32	2 is blinking
blinking display	\$4	blinking display on
	\$5	blinking display off
direction of writing	\$6	left → right
	\$7	right → left

If you set under the code number 4 (-0...-9) an address will the telegramstructure be changed

## technical data :

power supply :	DA75-NSxx/A1...	18 - 35 V DC
	DA75-NSxx/A2...	100 - 240 V AC/DC
current reception :		max. 15 VA
temperature area :		-20 °C...+65 °C
display high :		76 mm
LED colour :		red or green
protection kind :		IP65 front site

## case dimensions

DA75			aluminium mounting-case powder seam black	front-plate cutout
			shell depth (with terminal):	width [a]
DA75-NS __ /xxE	DA75-NS __ /xxE D	DA75-NS __ /xxE D1	86 (96) mm	w x h
30	0000			288 282 x 138
40	00000	30	0000 °C	336 330 x 138
50	000000	40	0000 °C	432 426 x 138
60	0000000	50	0000 °C	480 474 x 138
		50	00000 km/h	576 570 x 138

## sign rate:

Hex	20	2C	2D	2E	30	31	32	33	34	35	36	37	38	39	3D	41	43	44	45	46	48	4C	50	55	5D	5F	62	63	64	68	6E	6F	72	75	78	7E
Digit	.	-	.	0	1	2	3	4	5	6	7	8	9	=	A	C	E	F	H	L	P	U	]	_	b	c	d	h	n	o	r	u	0	1		

## unknown sign



DA75-NS	—	NS	—	/	—	—	—	/	—	—	E	—
dimension :	D = max. 2 figures		D1 = max. 4 figures									
display color :	R = red		G = green									
aux. supply	1 = 24V DC		2 = 230V AC/DC									
input :	A = RS232CV24 20mA/TTY RS422 RS485											
number of digits	30 = 3 digits		40 = 4 digits		50 = 5 digits							

## GS Gebhardt & Schäfer Industrie-Elektronik GmbH

Porschestraße 11  
D-51381 Leverkusen  
Tel. +49 (0) 21 71 / 73 72 2 -0  
Fax +49 (0) 21 71 / 73 72 2 -39  
Internet: <http://www.GS-GmbH.de>  
E-Mail: [info@GS-GmbH.de](mailto:info@GS-GmbH.de)

Kölnener Bank eG  
IBAN: DE62 3716 0087 0940 9250 10  
BIC: GENODED1CGN  
Kreissparkasse Köln  
IBAN: DE65 3705 0299 0312 0061 45  
BIC: COKSDE33

Deutsche Bank AG  
IBAN: DE30 3757 0024 0851 0851 00  
BIC: DEUTDE3375  
Foreign Payments:  
Account-No. 851 085 1  
S.W.I.F.T. DEUTDEB 375

Geschäftsführer:  
Karlheinz Schäfer  
Guido Gebhardt  
USt.-Nr. DE 123713297  
Amtsgericht Köln, HRB 48860  
D-U-N-S@: 340802073