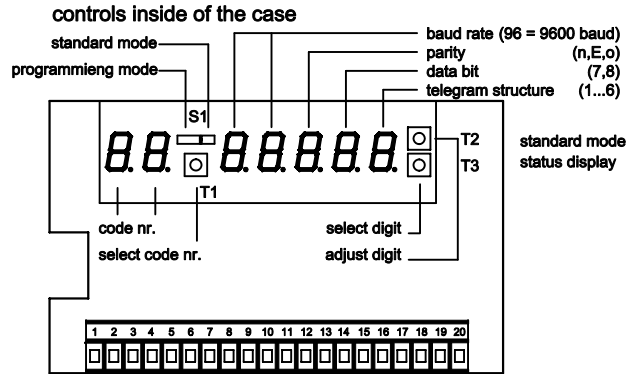
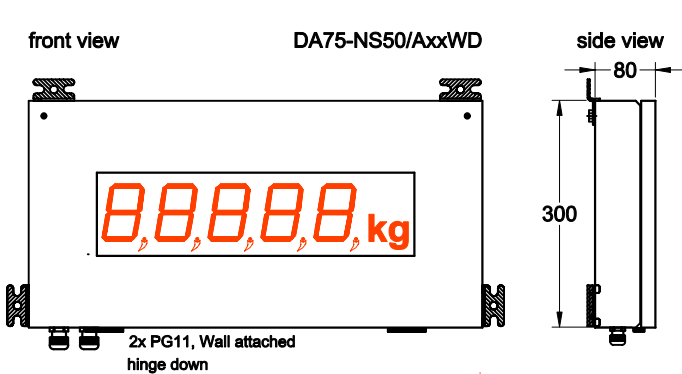


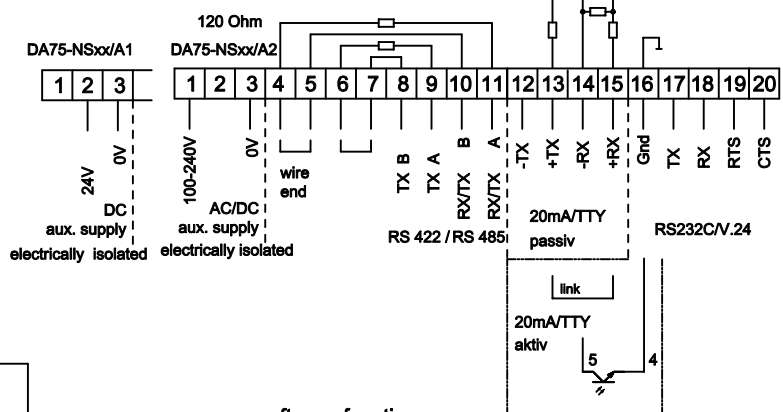
Type: DA75-NSxx/AxxW serial interface



programming

code nr.	display	description	
	0 0 0 0 0		
0	0	interface	RS232
	1		20mA/TTY
	2		RS485
	3		RS422
1	1 2 0 0	baud rate	1200 baud
	2 4 0 0		2400 baud
	4 8 0 0		4800 baud
	9 6 0 0		9600 baud
	1 9 2 0 0		19200 baud
2	1	data format	parity
	2		none
	3		even
	4		odd
	5		even
3	telegram structure		data bit
	1	D1 ... Dn	8 Bit
	2	STX	7 Bit
	3	STX address	8 Bit
	4	SOH address	8 Bit
	5	D1 ... Dn	8 Bit
4	0 0	device address 00 ... 99	(100 addresses adjustable)
	- 1	address 1	one figure (-0 ... -9)
	9 9	address 99	two figure (00 ... 99)
5	0	presage zeron blank-out	0 = without 1 = with
	1	direction of writing	right → left
6	0 0	suppression up to 99	leading signs
	9 9		
7	0	0	= without comma
	0	1 .. n	= comma place 10 ⁿ - 10 ⁿ⁻¹ (2..n Digit)
	1		at negative value underline deactivated
8	0 0	time out function	deactivated
	0 1	01 - 99 sek.	after the last telegram
	9 9		shows the display -- 4/ --

rear connector with screw-type terminals



software functions

fnction	ASCII	description
segment test	\$0	segment test on until receiving next data telegram
leading zeros	\$1	leading zeros displayed
	\$2	leading zeros suppressed
blinking sign	\$32	2 is blinking
blinking display	\$4	blinking display on
	\$5	blinking display off
direction of writing	\$6	left → right
	\$7	right → left

case dimensions

DA75		steel tin mounting case powder seam RAL 7032		outside measurement		
DA75-NS __ /xxxW	DA75-NS __ /xxxW D	DA75-NS __ /xxxW D1	width	x high	x depth	
30	40	50	400	300	80	
40	50	60	500			
50	60	70	600			

If you set under the code number 4 (-0...-9) an address will the telegramstructure be changed

technical data:

power supply :	DA75-NSxx/A1...	18 - 35 V DC
	DA75-NSxx/A2...	100 - 240 V AC/DC
current reception :		max. 15 VA
temperature are :		-20 °C...+65 °C
display high, -color:		76 mm, red oder green

sign rate :

Hex	20	2C	2D	2E	30	31	32	33	34	35	36	37	38	39	3D	41	43	45	46	48	4C	50	55	5D	5F	62	63	64	6E	6F	72	75	78	7E
Digit	.	-	0	1	2	3	4	5	6	7	8	9	=	A	C	E	F	H	L	P	U]	_	b	c	d	h	n	o	r	u	□	4	

DA75-NS __ / __ / __ W __	dimension :	D = max. 2 figures	D1 = max. 4 figures
	LED color:	R = red	G = green
	aux. supply :	1 = 24V DC	2 = 230V AC/DC
	input :	A = RS232C/V24	20mA/TTY RS422 RS485
	number of digits :	30 = 3 digits	40 = 4 digits
			50 = 5 digits

GS Gebhardt & Schäfer Industrie-Elektronik GmbH

Porschstrasse 11
D-51381 Leverkusen
Tel. +49 (0) 21 71 / 73 72 2 -0
Fax +49 (0) 21 71 / 73 72 2 -39
Internet: <http://www.GS-GmbH.de>
E-Mail: info@GS-GmbH.de

Kölner Bank eG
IBAN: DE62 3716 0087 0940 9250 10
BIC: GENODED1CGN
Kreissparkasse Köln
IBAN: DE65 3705 0299 0312 0061 45
BIC: COKSDE33

Deutsche Bank AG
IBAN: DE30 3757 0024 0851 0851 00
BIC: DEUTDE3375
Foreign Payments:
Account-No. 851 085 1
S.W.I.F.T. DEUTDEB 375

Geschäftsführer:
Karlheinz Schäfer
Guido Gebhardt
USt.-Nr. DE 123713297
Amtsgericht Köln, HRB 48860
D-U-N-S®: 340802073