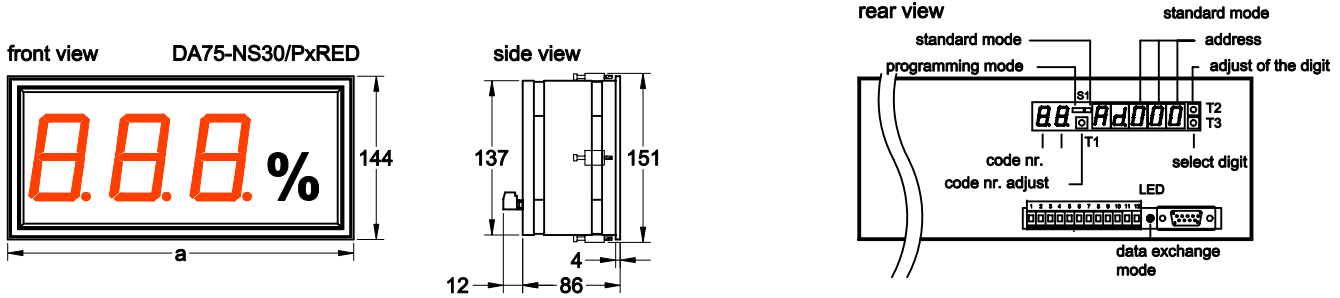
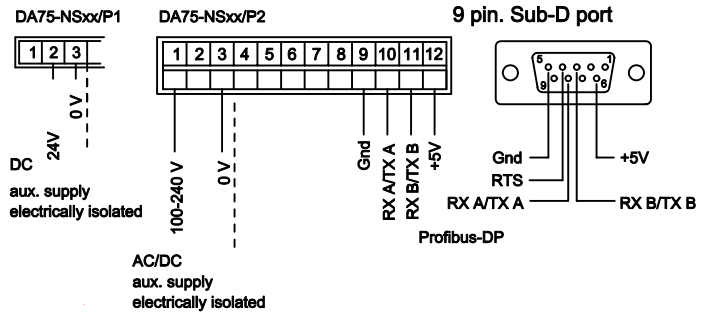


# Type: DA75-NSxx/PxxE interface Profibus L2DP



### rear connector with screw-type terminals



### programming

code nr.	display	description
0	Pr 0 0 0 1 2 7	address 1. device 128. device selection digit with T3 selection digit with T2
1	Pr 1 0 1 1	code BCD ASCII
	EEP	data will be saved

### case dimensions

DA75		aluminium mounting-case powder seam black	front-plate	frontplate
		shell-depth (with terminal)	frame	cutout
DA75-NS __/xxxE	DA75-NS __/xxxE D	DA75-NS __/xxxE D1	width [a]	w x h
30	000		288	282 x 138
40	0000	30 000 °C	336	330 x 138
50	00000	40 0000 °C	432	426 x 138
60	000000	50 00000 °C	480	474 x 138
		30 000 km/h	576	570 x 138
		40 0000 km/h		
		50 00000 km/h		

### technical data :

power supply :	DA75-NSxx/P1...	18 - 35 V DC
	DA75-NSxx/P2...	100 - 240 V AC/DC
current reception :		max. 15 VA
temperature area :		-20 °C...+65 °C
display height:		76 mm
LED colour :		red or green
baud rate(self-acting recognition):		≤ 12 MBaud
address (0...127):		rear-side input over keypad
protocol :		Profibus-DP
hardware:		SPC3 Feldbus side electrically isolated
protection kind:		IP65 fronts site

### sign rate :

Hex	20	2C	2D	2E	30	31	32	33	34	35	36	37	38	39	3D	41	43	45	46	48	4C	50	55	5D	5F	62	63	64	68	6E	6F	72	75	78	7E	
Digit	.	-	0	.	0	1	2	3	4	5	6	7	8	9	-	[	C	E	F	H	L	P	U	]	-	b	c	d	h	n	o	r	u	□	↑	≡

### telegram construction ASCII

Byte	description	ASCII
1.	Digit 1 $\cong 10^0$	3xH
2.	Digit 2 $\cong 10^1$	3xH
3.	Digit 3 $\cong 10^2$	3xH
4.	Digit 4 $\cong 10^3$	3xH
5.	Digit 5 $\cong 10^4$	3xH
6.	free	
7.	free	
8.	free	

decimal point at every position insertable

### telegram construction BCD

Byte	function
1.	$10^1$ $10^0$ 1 1 1 1 1 1 1 1 1 1 1 1
2.	$10^3$ $10^2$ 1 1 1 1 1 1 1 1 1 1 1 1
3.	free $10^4$ X X X X X 1 1 1 1 1 1
4.	free X X X X X X X X X X
5.	free X X X X X X X X X X
6.	free X X X X X X X X X X
7.	free X X X X X X X X X X
8.	free dec.point display X X X X X 0 0 0 0 0 0000 0 0 0 0 1 0000,0 0 0 1 0 000,0 0 0 1 1 00,00 0 1 0 0 0,0000

DA75-NS	P	E	dimension :
			D = max. 2 figures
			D1 = max. 4 figures
			R = red
			G = green
			1 = 24V DC
			2 = 230V AC/DC
			P = Profi Bus L2DP
			30 = 3 digits
			40 = 4 digits
			50 = 5 digits

### GS Gebhardt & Schäfer Industrie-Elektronik GmbH

Porschstrasse 11  
D-51381 Leverkusen  
Tel. +49 (0) 21 71 / 73 72 2 -0  
Fax +49 (0) 21 71 / 73 72 2 -39  
Internet: <http://www.GS-GmbH.de>  
E-Mail: [info@GS-GmbH.de](mailto:info@GS-GmbH.de)

Kölner Bank eG  
IBAN: DE62 3716 0087 0940 9250 10  
BIC: GENODED1CGN  
Kreissparkasse Köln  
IBAN: DE65 3705 0299 0312 0061 45  
BIC: COKSDE33

Deutsche Bank AG  
IBAN: DE30 3757 0024 0851 0851 00  
BIC: DEUTDE33  
Foreign Payments:  
Account-No. 851 085 1  
S.W.I.F.T. DEUTDEB 375

Geschäftsführer:  
Karlheinz Schäfer  
Guido Gebhardt  
USt.-Nr. DE 123713297  
Amtsgericht Köln, HRB 48860  
D-U-N-S@: 340802073