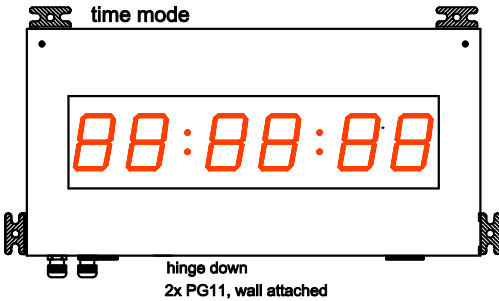


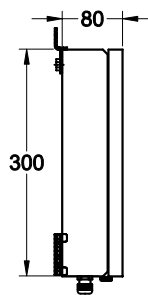
# Type : DA75-NUxx/DxxxW

## date / time quartz clock (DCF77)

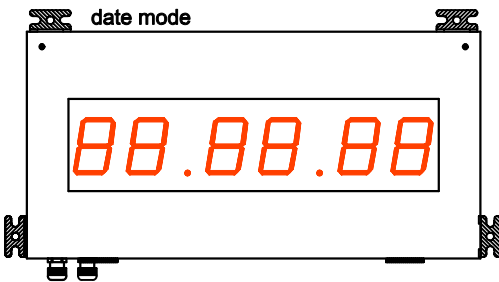
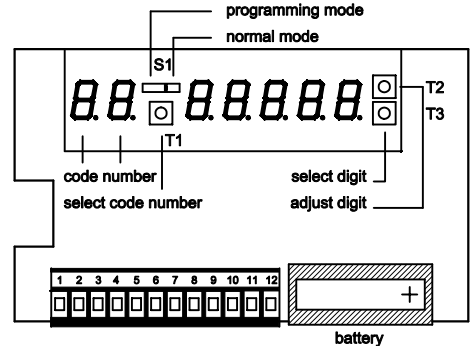
front view DA75-NU60/DxxxW



side view



control terms inside of the case



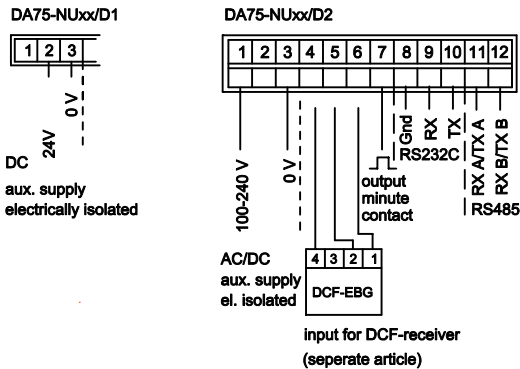
case dimensions

DA75	steel tin mounting case powder seam RAL 7032	outside dimensions mm		
DA75-NU __ /DxxxW		width x height x depth		
	time display	date display		
40	BB:BB	40 BB.BB	450	300
60	BB:BB:BB	60 BB.BB.BB	600	80

### programming

code number	display	description
0	0 0 0 0	adjust time
1	0 0 0 0	adjust date
2	0 0 0 0	adjust year
3	- - P - -	take-over time with T3
4	0 0	alternating date / time is displayed
	0 1	only time is displayed
	0 2	only date is displayed
5	max. 99	time length for time is displayed
6	max. 99	time length for date is displayed
7	0 - 9	brightness adjustment
		0 = bright 9 = dark

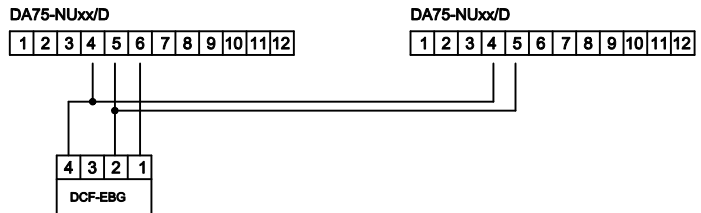
### screw-type terminals



### technical data :

aux. supply :	DA75-NUxx/D1...	18 - 35 V DC
	DA75-NUxx/D2...	100 - 240 V AC/DC
power consumption :		max. 15 VA
temperature range :		-20 °C...+65 °C
display height :		76 mm
display colour :		red or green
protection type :		IP65 front

### wire reference for 2 clocks and 1 DCF-EBG



### DA75-NU\_\_/D\_\_0\_\_W

display colour :	R = red	G = green
aux. supply :	1 = 24V DC	2 = 230V AC
display :	40 = 4 digits	60 = 6 digits

### GS Gebhardt & Schäfer Industrie-Elektronik GmbH

Porschestr. 11  
D-51381 Leverkusen  
Tel. +49 (0) 21 71 / 73 72 2 -0  
Fax +49 (0) 21 71 / 73 72 2 -39  
Internet: <http://www.GS-GmbH.de>  
E-Mail: [info@GS-GmbH.de](mailto:info@GS-GmbH.de)

Kölner Bank eG  
IBAN: DE62 3716 0087 0940 9250 10  
BIC: GENODE33  
Kreissparkasse Köln  
IBAN: DE65 3705 0299 0312 0061 45  
BIC: COKSDE33

Deutsche Bank AG  
IBAN: DE30 3757 0024 0851 0851 00  
BIC: DEUTDE33  
Foreign Payments:  
Account-No. 851 085 1  
S.W.I.F.T. DEUTDE33 375

Geschäftsführer:  
Karlheinz Schäfer  
Guido Gebhardt  
USt.-Nr. DE 123713297  
Amtsgericht Köln, HRB 48860  
D-U-N-S@: 340802073