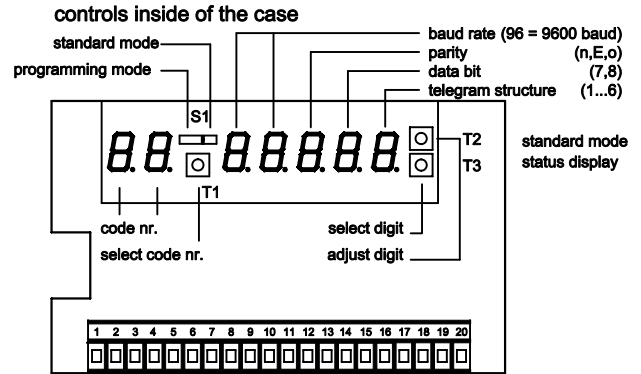
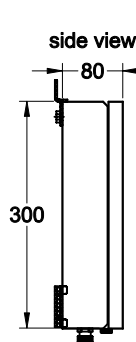
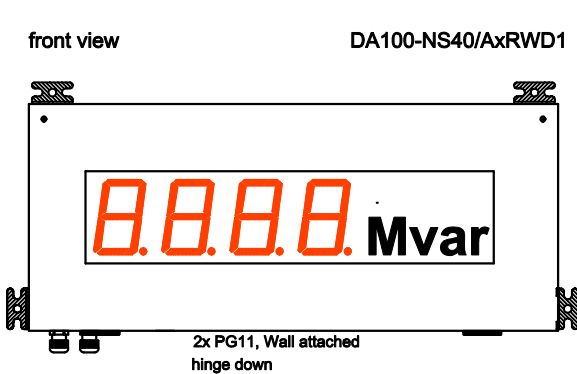


Type: DA100-NSxx/AxxW

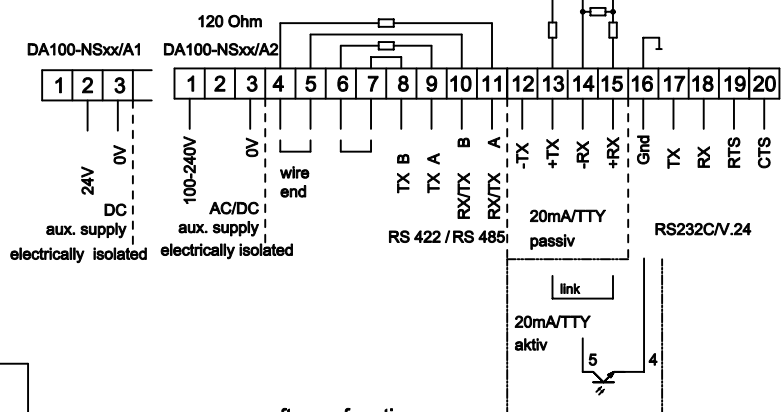
serial interface



programming

code nr.	display	description	
0	0 0 0 0	interface	RS232 20mA/TTY RS485 RS422
1	1 2 0 0 2 4 0 0 4 8 0 0 9 6 0 0 1 9 2 0 0	baud rate	1200 baud 2400 baud 4800 baud 9600 baud 19200 baud
2	1 2 3 4 5	data format	parity: none, even, odd data bit: 8 Bit, 7 Bit, 8 Bit
3	1 2 3 4 5 6 7 8	telegram structure	D1 ... Dn time distance between 2 teleg. min. 200ms STX D1 ... Dn ETX STX address address D1 ... Dn ETX SOH address address STX D1 ... Dn ETX D1 ... Dn CR/LF D1 ... Dn CR Berkel L215 - L226 STX D1 ... Dn EOT
4	0 0 - 1 9 9	device address 00 ... 99 (100 addresses adjustable)	address 1 one figure (-0 ... -9) address 99 two figure (00 ... 99)
5	0 1	presage zero blank-out 0 = without 1 = with	direction of writing right → left direction of writing left → right
6	0 0 9 9	suppression up to 99 leading signs	
7	0 0 1	0 = without comma 1..n = comma place 10 ¹⁻ⁿ (2..n Digit) at negative value underline deactivated " minus + underline activated ~ - - - -	
8	0 0 0 1 9 9	time out function deactivated	01 - 99 sek. after the last telegram shows the display -- 4t --

rear connector with screw-type terminals



software functions

function	ASCII	description
segment test	\$0	segment test on until receiving next data telegram
leading zeros	\$1	leading zeros displayed
blinking sign	\$2	leading zeros suppressed
blinking display	\$32	2 is blinking
blinking display	\$4	blinking display on
blinking display	\$5	blinking display off
direction of writing	\$6	left → right
direction of writing	\$7	right → left

If you set under the code number 4 (-0...-9) an address will the telegramstructure be changed

technical data:

power supply :	DA100-NSxx/A1...	18 - 35 V DC
	DA100-NSxx/A2...	100 - 240 V AC/DC
current reception :		max. 18 VA
temperature range :		-20 °C...+65 °C
display high, -color:		100 mm, red oder green

sign rate :

Hex	20	2C	2D	2E	30	31	32	33	34	35	36	37	38	39	3D	41	43	45	46	48	4C	50	55	5D	5F	62	63	64	68	6E	6F	72	75	78	7E
Digit	.	-	.	0	1	2	3	4	5	6	7	8	9	=	A	C	E	F	H	L	P	U]	-	b	c	d	h	n	o	r	u	0	4	

DA100-NS	LED color:	D = max. 2 figures	D1 = max. 4 figures
aux. supply:	1 = 24V DC	R = red	G = green
input:	A = RS232C/V24 20mA/TTY RS422 RS485	2 = 230V AC/DC	
number of digits:	30 = 3 digits	40 = 4 digits	50 = 5 digits

case dimensions

DA100		steel tin mounting case powder seam RAL 7032		outside measurement				
DA100-NS	__/xxW	DA100-NS	__/xxW D	DA100-NS	__/xxW D1	width	x high	x depth
30	AAA					400	300	80
40	AAAA	30	AAA°C			500		
50	AAAAA	40	AAAA°C	30	AAA km/h	600		
60	AAAAAA	50	AAAAA°C	40	AAAA km/h	700		
				50	AAAAA km/h	800		

unknown sign



GS Gebhardt & Schäfer Industrie-Elektronik GmbH

Porschstrasse 11
D-51381 Leverkusen
Tel. +49 (0) 21 71 / 73 72 2 -0
Fax +49 (0) 21 71 / 73 72 2 -39
Internet: <http://www.GS-GmbH.de>
E-Mail: info@GS-GmbH.de

Kölner Bank eG
IBAN: DE62 3716 0087 0940 9250 10
BIC: GENODE33
Kreissparkasse Köln
IBAN: DE65 3705 0299 0312 0061 45
BIC: COKSDE33

Deutsche Bank AG
IBAN: DE30 3757 0024 0851 0851 00
BIC: DEUTDE33
Foreign Payments:
Account-No. 851 085 1
S.W.I.F.T. DEUTDEB 375

Geschäftsführer:
Karlheinz Schäfer
Guido Gebhardt
USt.-Nr. DE 123713297
Amtsgericht Köln, HRB 48860
D-U-N-S@: 340802073