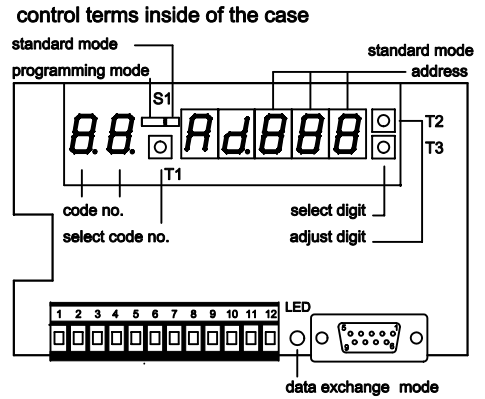
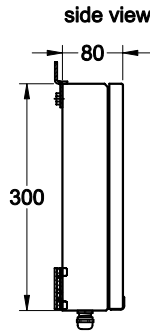
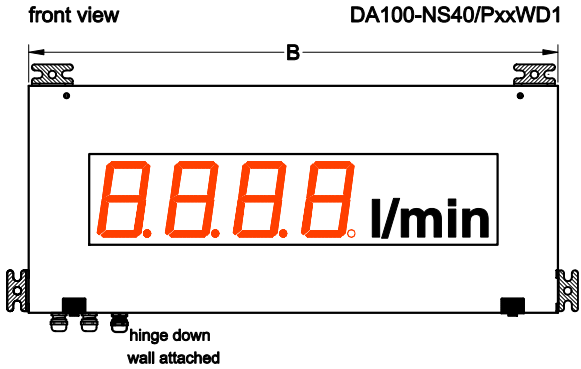
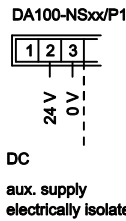


# Type: DA100-NSxx/PxxW

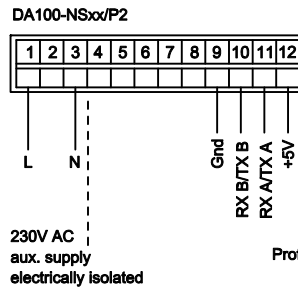
## interface ProfiBus DP



### screw-type terminals



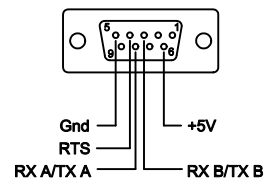
DC aux. supply electrically isolated



230V AC aux. supply electrically isolated

Profibus-DP

### 9-pin Sub-D port



### programming

code no.	display	description
0	Pr 0 0 0 1 2 7	address 1. device 128. device select digit with T3 adjust digit with T2
1	Pr 1 0 1	code BCD ASCII
	EEP	data will be saved

### case dimensions

DA100			steel tin mounting case powder-coated RAL 9005			outside measurement	
DA100-NS __/xxxW	DA100-NS __/xxxW D	DA100-NS __/xxxW D1				width	height x depth
30	000					400	300 80
40	0000	30 000 °C				500	
50	00000	40 0000 °C	30	000 km/h		600	
60	000000	50 00000 °C	40	0000 km/h		700	
			50	00000 km/h		800	

### technical data:

power supply:	DA100-NSxx/P1...	18 - 35 V DC
	DA100-NSxx/P2...	100 - 240 V AC/DC
power consumption:		max. 18 VA
temperature range :		-20 °C...+65 °C
display height:		100 mm
LED colour :		red or green
baud rate (self-acting recognition):		≤ 12 MBaud
address (0 ...127):		inside of the shell, input over keypad
protocol:		Profibus-DP
hardware:		SPC3 Feldbus side electrically isolated
protection kind:		IP65

### telegram structure ASCII

Byte	description	ASCII
1.	Digit 1 $\geq 10^0$	3xH
2.	Digit 2 $\geq 10^1$	3xH
3.	Digit 3 $\geq 10^2$	3xH
4.	Digit 4 $\geq 10^3$	3xH
5.	Digit 5 $\geq 10^4$	3xH
6.	free	
7.	free	
8.	free	

decimal point at every position insertable

### telegram structure BCD

byte	function
1.	$10^1$ $10^0$ 1 1 1 1 1 1 1 1 1 1
2.	$10^3$ $10^2$ 1 1 1 1 1 1 1 1 1 1
3.	free $10^4$ X X X X X 1 1 1 1 1 1
4.	free X X X X X X X X X X
5.	free X X X X X X X X X X
6.	free X X X X X X X X X X
7.	free X X X X X X X X X X
8.	free dec.point display X X X X X 0 0 0 0 0 0 0 0 0 1 0 000,0 0 0 1 1 0 000,0 0 0 1 1 1 00,000 0 1 1 0 0 0,0000

### character set:

Hex	20	2C	2D	2E	30	31	32	33	34	35	36	37	38	39	3D	41	43	45	46	48	4C	50	55	5D	5F	62	63	64	68	6E	6F	72	75	78	7E
Digit	.	-	0	1	2	3	4	5	6	7	8	9	=	[	A	C	E	F	H	L	P	U	]	_	b	c	d	h	n	o	r	u	□	4	≡

DA100-NS	P	W	dimension :
			D = max. 2 figures
			D1 = max. 4 figures
			R = red
			G = green
			1 = 24V DC
			2 = 230V AC/DC
			P = Profi Bus DP
			30 = 3 digits
			40 = 4 digits
			50 = 5 digits

### GS Gebhardt & Schäfer Industrie-Elektronik GmbH

Porschstrasse 11  
D-51381 Leverkusen  
Tel. +49 (0) 21 71 / 73 72 2 -0  
Fax +49 (0) 21 71 / 73 72 2 -39  
Internet: <http://www.GS-GmbH.de>  
E-Mail: [info@GS-GmbH.de](mailto:info@GS-GmbH.de)

Kölner Bank eG  
IBAN: DE62 3716 0087 0940 9250 10  
BIC: GENODED1CGN  
Kreissparkasse Köln  
IBAN: DE65 3705 0299 0312 0061 45  
BIC: COKSDE33

Deutsche Bank AG  
IBAN: DE30 3757 0024 0851 0851 00  
BIC: DEUTDE3375  
Foreign Payments:  
Account-No. 851 085 1  
S.W.I.F.T. DEUTDEB 375

Geschäftsführer:  
Karlheinz Schäfer  
Guido Gebhardt  
USt.-Nr. DE 123713297  
Amtsgericht Köln, HRB 48860  
D-U-N-S®: 340802073