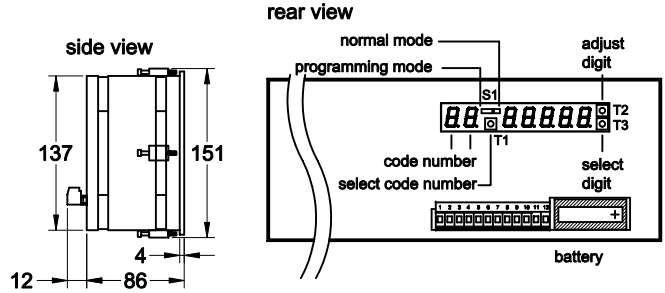
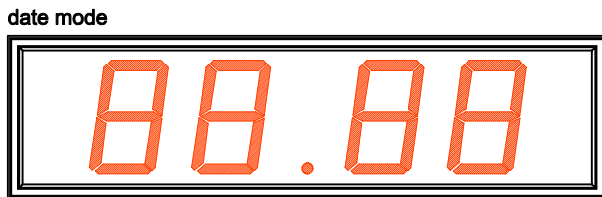
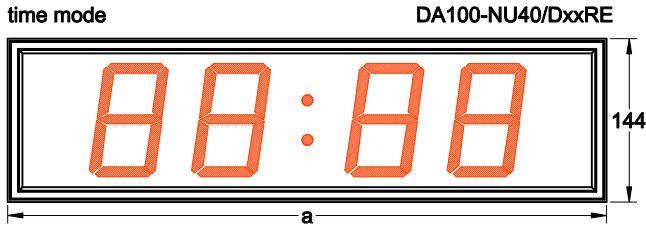


Type: DA100-NUxx/DxxxE
date / time
quartz clock (DCF77)



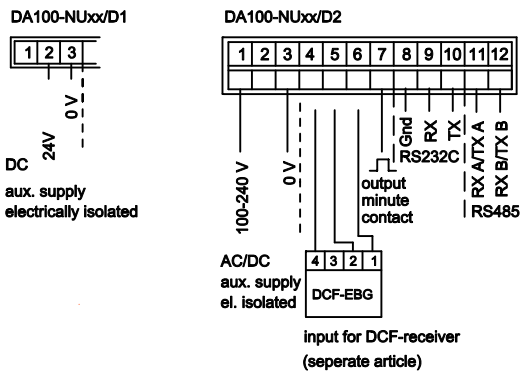
case dimensions

| DA100 | aluminium case powder seam case depth (with terms) : 86 (98) mm | DA100-NU __ /DxxxE | bezel width [a] | cutout panel w x h |
|-------|--|---------------------|---------------------|--------------------|
| | | time mode | | |
| | | date mode | | |
| | | 4.0 BB:BB | 4.0 BB.BB | 528 522 x 138 |
| | | 6.0 BB:BB:BB | 6.0 BB.BB.BB | 720 714 x 138 |

programming

| code number | display | description |
|-------------|-----------|--------------------------------------|
| 0 | 0 0 0 0 | adjust time |
| 1 | 0 0 0 0 | adjust date |
| 2 | 0 0 0 0 | adjust year |
| 3 | - - P - - | take-over with T3 |
| 4 | 0 0 | alternating date / time is displayed |
| | 0 1 | only time is displayed |
| | 0 2 | only date is displayed |
| 5 | max. 99 | time length for time is displayed |
| 6 | max. 99 | time length for date is displayed |
| 7 | 0 - 9 | brightness adjustment |
| | | 0 = bright 9 = dark |

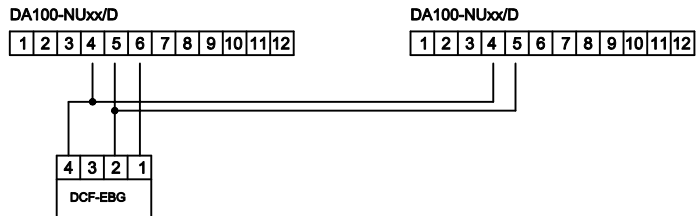
rear connector with screw-type terminals



technical data :

| | | |
|---------------------|------------------|-------------------|
| aux. supply : | DA100-NUxx/D1... | 18 - 35 V DC |
| | DA100-NUxx/D2... | 100 - 240 V AC/DC |
| power consumption : | | max. 18 VA |
| temperature range : | | -20 °C...+65 °C |
| display height : | | 100 mm |
| display colour : | | red or green |
| protection type : | | IP65 front |

wire reference for 2 clocks and 1 DCF-EBG



DA100-NU□□/D□□□E

display colour :
aux. supply :
display :

| | |
|---------------|---------------|
| R = red | G = green |
| 1 = 24V DC | 2 = 230V AC |
| 40 = 4 digits | 60 = 6 digits |