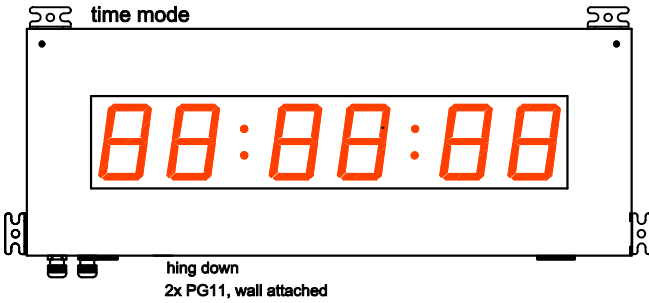


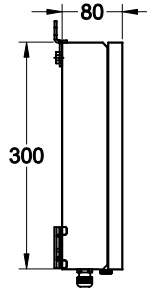
Type: DA100-NUxx/DxxxW

date / time quartz clock (DCF77)

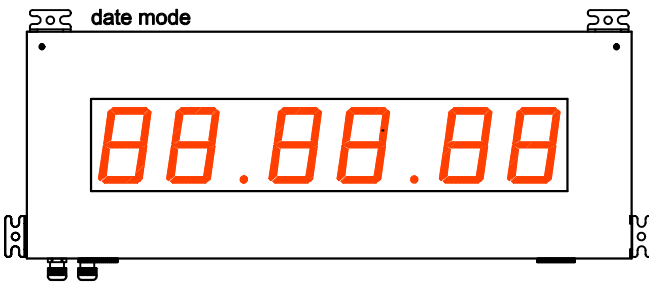
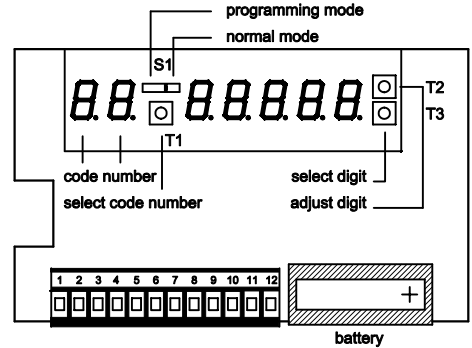
front view DA100-NU60/DxxRW



side view



control terms inside of the case



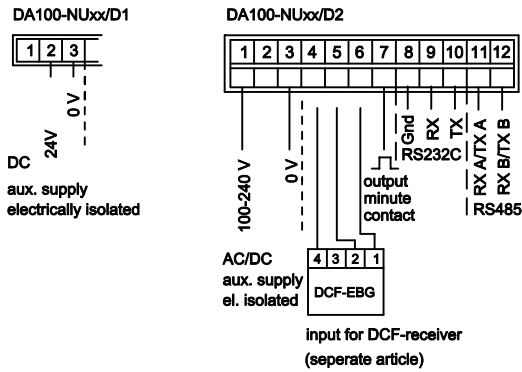
case dimensions

| DA100 | steel tin mounting case powder seam RAL 7032 | outside dimensions mm | | |
|--------------------|--|-----------------------|--------|-------|
| DA100-NU __ /DxxxW | | width | height | depth |
| | time mode | | | |
| 40 | 00:00 | 600 | 300 | 80 |
| 60 | 00:00:00 | 800 | 300 | 80 |

programming

| code number | display | description |
|-------------|-----------|--------------------------------------|
| 0 | 0 0 0 0 | adjust time |
| 1 | 0 0 0 0 | adjust mode |
| 2 | 0 0 0 0 | adjust year |
| 3 | - - P - - | take-over time with T3 |
| 4 | 0 0 | alternating date / time is displayed |
| | 0 1 | only time is displayed |
| | 0 2 | only date is displayed |
| 5 | max. 99 | time length for time is displayed |
| 6 | max. 99 | time length for date is displayed |
| 7 | 0 - 9 | brightness adjustment |
| | | 0 = bright 9 = dark |

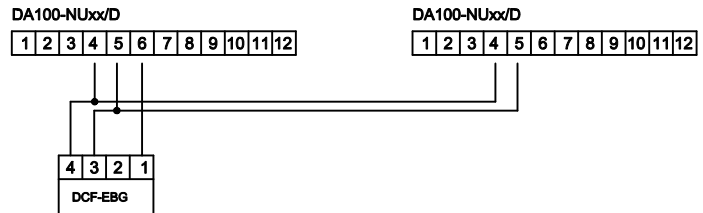
screw-type terminals



general data :

| | | |
|---------------------|------------------|-------------------|
| aux. supply : | DA100-NUxx/D1... | 18 - 35 V DC |
| | DA100-NUxx/D2... | 100 - 240 V AC/DC |
| power consumption : | | max. 18 VA |
| temperature range : | | -20 °C...+65 °C |
| display height : | | 100 mm |
| display colour : | | red or green |
| protection type : | | IP65 front |

wire reference for 2 clocks and 1 DCF-receiver



DA100-NU__ / D__0__W

display colour :
aux. supply :
display :

| | |
|---------------|---------------|
| R = red | G = green |
| 1 = 24V DC | 2 = 230V AC |
| 40 = 4 digits | 60 = 6 digits |