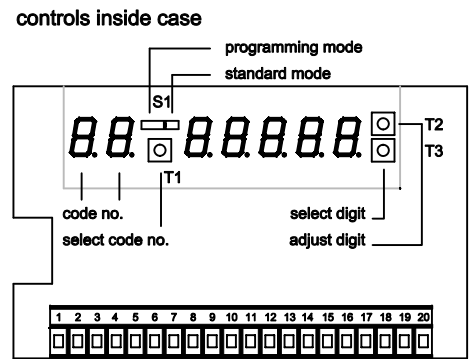
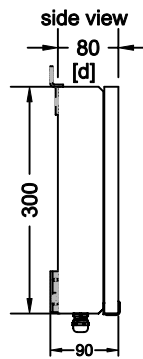
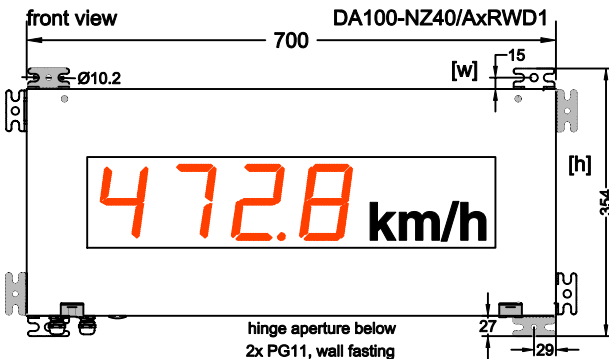


Type: DA100-NZxx/AxxW

Counter/Totalizer add/subtract



case dimensions

DA100		Sheet steel powder coated black (RAL 9005)		outside dimension (mm)		
DA100-NZ __ /xxxxW	DA100-NZ __ /xxxxW D	DA100-NZ __ /xxxxW D1	[w]	[h]	[d]	width x height x depth
30	30		400	300	80	
40	30		500			
50	40	30	600			
	50	40	700			
		50	800			

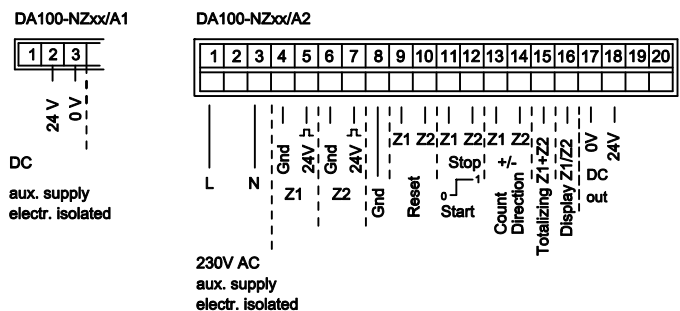
programming mode

code no.	display	description	
00	0.0.0.0	decimal point	0 = none 1 = 0,0 2 = 0,00 3 = 0,000
	0.0.0.0	pulse-edge	0 = falls 1 = ascends 2 = falls 3 = ascends
		edge	≤ 1 kHz ≤ 1 kHz ≤ 10 Hz relay ≤ 10 Hz relay
01	0.0.0.0	preset Z1	
02	0.0.0.0	preset Z2	
03	0.0.0.0	set reset value Z1	
04	0.0.0.0	set reset value Z2	
05	0.0.0.0	prescaler counter Z1 (qty. pulses/1 display step)	
06	0.0.0.0	prescaler counter Z2 (qty. pulses/1 display step)	
07	0.0.0.0	prescaler display Z1 (qty. display steps/1 pulse)	
08	0.0.0.0	prescaler display Z2 (qty. display steps/1 pulse)	
09	0.0.0.0	brightness adjustment (0 ... 9)	0 = bright 9 = dark

technical data

aux. supply:	DA100-NZxx/A1...	18-35 V DC
	DA100-NZxx/A2...	100-240 V AC
power consumption:	max. 18 VA	
temperature range:	-25 °C ... +65 °C	
Vorwahlpreset:	programmable	
count inputs:	24V active high add/subtract	
	L < 7V, H > 15V max. 35V	
operating inputs:	24V active high L < 7V, H > 15V max. 35V	
reset:	24V active high reset value programmable	
stop:	24V active high	
start:	24V active low (< 7V: counter starts with pulse)	

rear connector with screw-type terminals



count direction (inputs 13+14):	L = add H = subtract
totalizing (input 15):	H = summary of counters Z1+Z2 is displayed
display changeover (input 16):	L = display totalizer Z1 H = display totalizer Z2
data retention of totalizer Z1 and Z2	
input resistance:	15 kOhm
counting frequency:	max. 1kHz
pulse length:	min. 0,1 ms
prescaler:	programmable
display:	100 mm, LED red oder green

DA100-NZ	display colour:	aux. supply:	input:	digits:
D = max. 2 signs	R = red	1 = 24V DC	A = counter active high 24V	30 = 3 digits
D1 = max. 4 signs	G = green	2 = 230V AC		40 = 4 digits
				50 = 5 digits

GS Gebhardt & Schäfer Industrie-Elektronik GmbH

Porschestr. 11
D-51381 Leverkusen
Tel. +49 (0) 21 71 / 73 72 2 -0
Fax +49 (0) 21 71 / 73 72 2 -39
Internet: <http://www.GS-GmbH.de>
E-Mail: info@GS-GmbH.de

Kölner Bank eG
IBAN: DE62 3716 0087 0940 9250 10
BIC: GENODE33
Kreissparkasse Köln
IBAN: DE65 3705 0299 0312 0061 45
BIC: COKSDE33

Deutsche Bank AG
IBAN: DE30 3757 0024 0851 0851 00
BIC: DEUTDE33
Foreign Payments:
Account-No. 851 085 1
S.W.I.F.T. DEUTDE33

Geschäftsführer:
Karlheinz Schäfer
Guido Gebhardt
USt.-Nr. DE 123713297
Amtsgericht Köln, HRB 48860
D-U-N-S@: 340802073