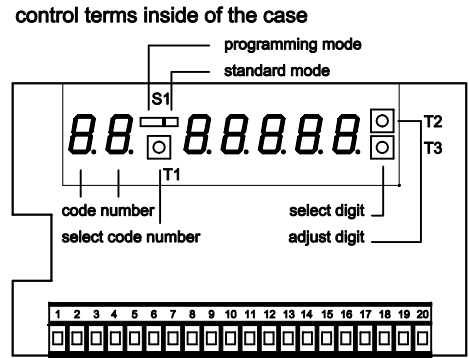
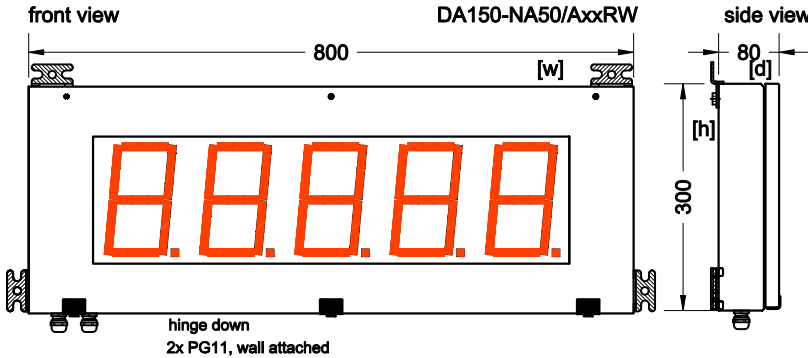


Type : DA150-NAxx/AxxxW

DC current/voltage



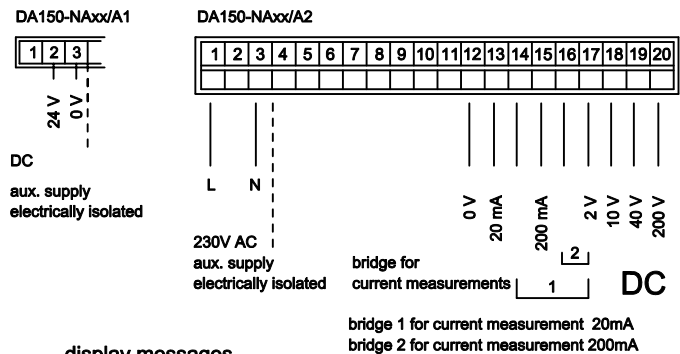
case dimensions

DA150		steel tin mounting case powder seam RAL 9005		outside dimensions mm		
DA150-NA _ _ /xxxW	DA150-NA _ _ /xxxW D	DA150-NA _ _ /xxxW D1	[w]	[h]	[d]	width x height x depth
30	0000		600	300	80	
40	0000 °C	30	700			
50	0000 °C	40	800			
		50	900			
		50	1000			

programming mode

code number	display	description
0		min. display value
1	P-L	min. input signal take over with T3 (to be applied)
2		max. display value
3	P-H	max. input signal take over with T3 (to be applied)
4	--99 -L--	average value of 1-99 measurements line break indication with value falling of 25% -- no L = yes
5	2/5/10	rounding of last digit in steps of 2, 5 or 10

screw-type terminals



display messages

Pr	EEProm under programming
----	overflow (flashing of display segments in the middle)
-	line break (indication with value falling below measure value)

aux. supply	DA150-NAxx/A1...	18-35 V DC
	DA150-NAxx/A2...	100-240 V AC/DC
temperature range :	-20 °C ... +65 °C	
measuring range (V) :	2V / 10V / 40V / 200V	
measuring range (A) :	20mA / 200mA	
display max. :	programmable	
display zero :	programmable	
principle of measurement	Dual-Slope-Integration	
error of measurement	+/- 0,1% of measuring value +/- 1 digit/segment	
overflow :	flashing of segments in the middle	
average value :	adjustable from 1-500 measurements	
rounding last digit :	adjustable in steps of 2, 5 or 10	

input resistance	terminal	Ri
	17	100 kOhm
	18	560 kOhm
	19	2,2 MOhm
	20	12 MOhm
	13	100 Ohm
	15	10 Ohm
display :	150 mm, LED red or green	
resolution :	..NA30.. -199 ..999	
	..NA40.. -1999 ...9999	
	..NA50.. -19999 ...99999	

DA150-NA	display colour :	D = max. 2 figures	D1 = max. 4 figures
0	aus. supply :	R = red	G = green
W	input :	1 = 24V DC	2 = 230V AC
	display :	A = DC current/voltage	
		30 = 3 digits	40 = 4 digits
			50 = 5 digits

GS Gebhardt & Schäfer Industrie-Elektronik GmbH

Porschestraße 11
D-51381 Leverkusen
Tel. +49 (0) 21 71 / 73 72 2 -0
Fax +49 (0) 21 71 / 73 72 2 -39
Internet: <http://www.GS-GmbH.de>
E-Mail: info@GS-GmbH.de

Kölner Bank eG
IBAN: DE62 3716 0087 0940 9250 10
BIC: GENODED1CGN
Kreissparkasse Köln
IBAN: DE65 3705 0299 0312 0061 45
BIC: COKSDE33

Deutsche Bank AG
IBAN: DE30 3757 0024 0851 0851 00
BIC: DEUTDE33
Foreign Payments:
Account-No. 851 085 1
S.W.I.F.T. DEUTDEDB 375

Geschäftsführer:
Karlheinz Schäfer
Guido Gebhardt
USt.-Nr. DE 123713297
Amtsgericht Köln, HRB 48860
D-U-N-S@: 340802073