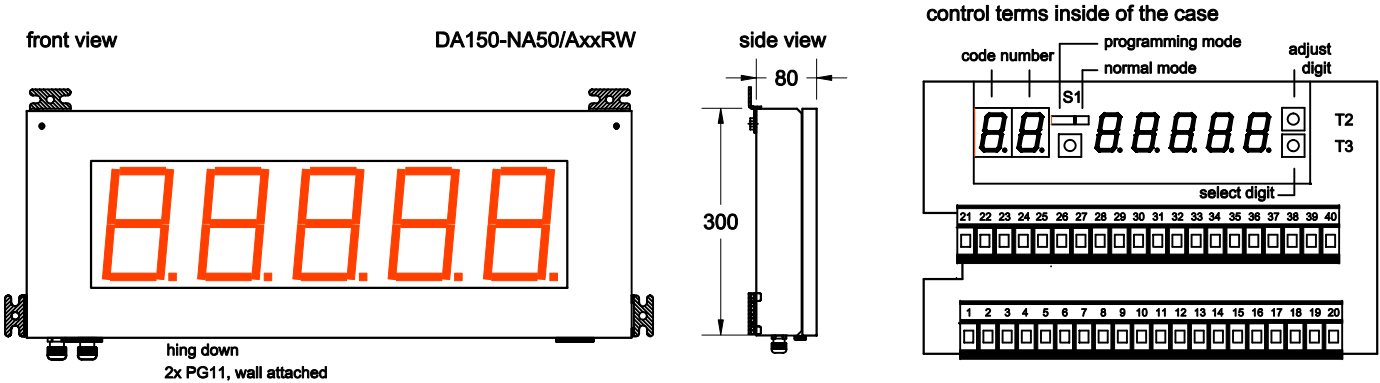


Type : DA150-NPxx/AxxW

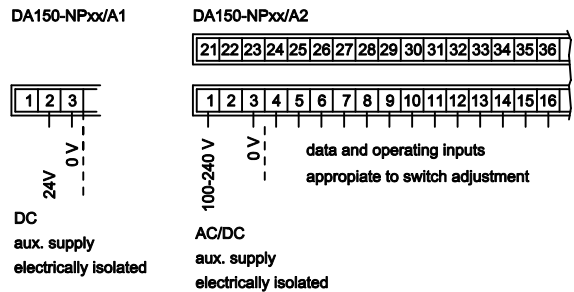
BCD/Hex active high



code

code number		display		input code		data inputs																						
00		00000				A	L	H	L	H	L	H	L	H	L	H	L	H	L	H	L	H	L	H				
parallel	1x	0	0	0	0	A	L	H	L	H	L	H	L	H	L	H	L	H	L	H	L	H	L	H				
						B	L	L	H	H	L	L	H	H	L	L	H	H	L	L	H	H	L	L	H	H	L	L
multiplex	0x	1	2	3	4	A	L	L	L	L	L	L	L	L	L	L	L	L	L	L	L	L	L	L	L	L	L	L
						B	L	L	L	L	L	L	L	L	L	L	L	L	L	L	L	L	L	L	L	L	L	L
BCD	1.1	0.1	display		0	1	2	3	4	5	6	7	8	9														
			1st digit		1	4	-																					
Hex	1.3	0.3	display		0	1	2	3	4	5	6	7	8	9	A	B	C	D	E	F								
			1st digit		1	4	-																					

screw type terminals



pin out

KZ	display	input																																							
00	0000	1	2	3	4	5	6	7	8	9	10	11	12	13	14	15	16	17	18	19	20	21	22	23	24	25	26	27	28	29	30	31	32	33	34	35	36	37	38	39	40
BCD	multiplex 01	aux. supply		Gnd	BCD				10 ⁰				10 ¹				10 ²				10 ³				10 ⁴																
	multiplex 02	aux. supply		Gnd	BCD				10 ⁰				10 ¹				10 ²				10 ³				10 ⁴																
Hex	multiplex 03	aux. supply		Gnd	BCD 10 ⁰				BCD 10 ¹				BCD 10 ²				BCD 10 ³				BCD 10 ⁴																				
	multiplex 04	aux. supply		Gnd	BCD 10 ⁰				BCD 10 ¹				BCD 10 ²				BCD 10 ³				BCD 10 ⁴																				
BCD	parallel 11	aux. supply		Gnd	BCD 10 ⁰				BCD 10 ¹				BCD 10 ²				BCD 10 ³				BCD 10 ⁴																				
	parallel 12	aux. supply		Gnd	BCD 10 ⁰				BCD 10 ¹				BCD 10 ²				BCD 10 ³				BCD 10 ⁴																				
Hex	parallel 13	aux. supply		Gnd	BCD 10 ⁰				BCD 10 ¹				BCD 10 ²				BCD 10 ³				BCD 10 ⁴																				
	parallel 14	aux. supply		Gnd	BCD 10 ⁰				BCD 10 ¹				BCD 10 ²				BCD 10 ³				BCD 10 ⁴																				

operation inputs

active high (independent from data inputs)

ST	segment test :	all segments and decimal points displayed
DT	blanking input	display blank
DP	decimal point	decimal point displayed
LE	Latch Enable:	display hold
Display remains although the data on the BCD-input changes		
after a change of the LE signal from L to H the display stores the		
information received before the signal changed.		

operation inputs (X = H oder L)			
DT	H	L	X
LE	X	H	X
ST	L	L	H
data	X	X	X
display	blank	latch	test

technical data:

aux. supply:	DA150-NPxx/A1...	18 - 35 V DC
	DA150-NPxx/A2...	100 - 240 V AC/DC
temperature range :	-20 °C ... +65 °C	
data + operating inputs:	active-high max. 35V L < 7V, H > 10V puls with min. 2ms	
input resistance :	15 kOhm	
display height / colour:	LED 150 mm / red or green	

case dimensions

DA150			steel tin mounting case powder seam RAL7032		outside dimension mm	
DA150-NP __ /xxxW	DA150-NP __ /xxxW D	DA150-NP __ /xxxW D1	width	x	height	x
30	600		600			
40	700	30	700			
50	800	40	800	300	80	
	900	50	900			
	1000	50	1000			

DA150-NP__ /__ /__ /__ W __	dimension:	D = max. 2 figures	D1 = max. 4 figures
	display colour :	R = red	G = green
	aux. supply :	1 = 24V DC	2 = 230V AC
	BCD-inputs :	A = active high 24V	
	display :	30 = 3 digits	40 = 4 digits 50 = 5 digits

GS Gebhardt & Schäfer Industrie-Elektronik GmbH

Porschestr. 11
D-51381 Leverkusen
Tel. +49 (0) 21 71 / 73 72 2 -0
Fax +49 (0) 21 71 / 73 72 2 -39
Internet: <http://www.GS-GmbH.de>
E-Mail: info@GS-GmbH.de

Kölner Bank eG
IBAN: DE62 3716 0087 0940 9250 10
BIC: GENODED1CGN
Kreissparkasse Köln
IBAN: DE65 3705 0299 0312 0061 45
BIC: COKSDE33

Deutsche Bank AG
IBAN: DE30 3757 0024 0851 0851 00
BIC: DEUTDE33
Foreign Payments:
Account-No. 851 085 1
S.W.I.F.T. DEUTDEB 375

Geschäftsführer:
Karlheinz Schäfer
Guido Gebhardt
USt.-Nr. DE 123713297
Amtsgericht Köln, HRB 48860
D-U-N-S@: 340802073