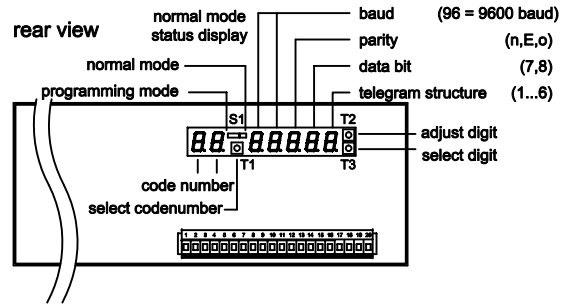
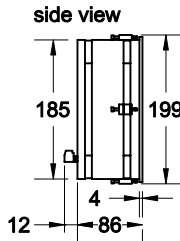
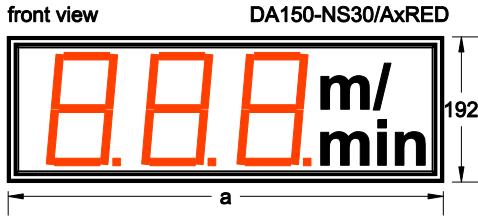


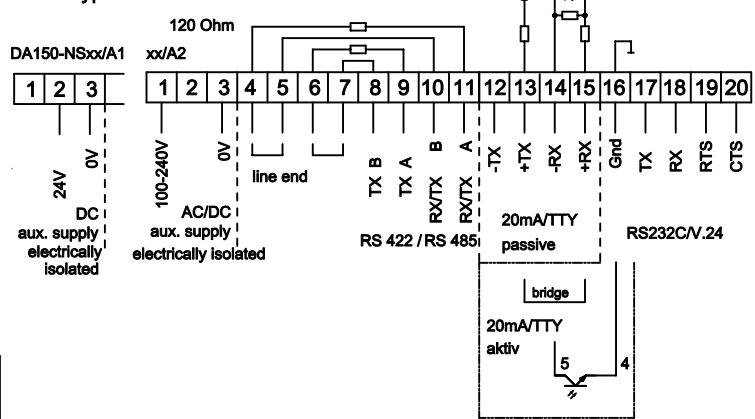
Type: DA150-NSxx/AxxE serial



programming

code no.	display	description	
	0 0 0 0 0		
0	0	interface	RS232
	1		20mA/TTY
	2		RS485
	3		RS422
1	1 2 0 0	baud	1200
	2 4 0 0		2400
	4 8 0 0		4800
	9 6 0 0		9600
	1 9 2 0 0		19200
2	1	data format	parity
	2	n	none
	3	E	even
	4	O	odd
	5	E	even
3	telegramm structure		
	1	D1 ... Dn	timeout between 2 telegramms min. 200ms
	2	STX	D1 ... Dn
	3	STX	address address D1 ... Dn ETX
	4	SOH	address address STX D1 ... Dn ETX
	5	D1 ... Dn	CR/LF
4	0 0	device address 00 ... 99 (100 addresses adjustable)	
	- 1	address 1 single-digit (-0 ... -9)	
	9 9	address 99 double figures (00 ... 99)	
5	0	leading zeros 0 = without 1 = with	
	1	direction of writing right -> left	
6	0 0	blank out from up to 99 sign	
	9 9		
7	0	0 = without comma	
	0	1 .. n = comma position 10 ¹ - 10 ⁿ (2..n Digit)	
	1	at a negative value underlining off	
8	0 0	timeout function deactivate	
	0 1	01 - 99 sec. after receive last telegramm	
	9 9	show the display -- !t --	

screw type terminals



software function

function	ASCII	description
segment test	\$0	segment test on (up to the next telegramm)
leading zeros	\$1	leading zeros displayed
	\$2	leading zeros suppressed
blinking sign	\$32	2 is blinking
blinking display	\$4	blinking on
	\$5	blinking off
direction of writing	\$6	left > right
	\$7	right > left

case dimensions

DA150	aluminium case powder seam		bezel width [a]	cutout panel
	case depth (with terms) 86 (96) mm			
DA150-NS __/xxxE D	DA150-NS __/xxxE D1			b x h
30	888		432	426 x 186
40	8888	30 888°C	576	570 x 186
50	88888	40 8888°C	720	714 x 186
		40 8888 km/h	816	810 x 186
		50 88888 km/h	912	906 x 186

will be adjusted under code no. 4 (-0 ... -9) address selection will be shorten equivalent to the telegramm structure

technical data

aux. supply	DA150-NSxx/A1...	18 - 35 V DC
	DA150-NSxx/A2...	100 - 240 V AC/DC
temperature range :	-20 °C...+65 °C	
display height:	150 mm	
display colour :	red or green	
protection kind :	IP65 front side	
sign rate :		

Hex	20	2C	2D	2E	30	31	32	33	34	35	36	37	38	39	3D	41	43	45	46	48	4C	50	55	5D	5F	62	63	64	68	6E	6F	72	75	78	7E
Digit	.	-	0	1	2	3	4	5	6	7	8	9	=	A	C	E	F	H	L	P	U]	-	b	c	d	h	n	o	r	u	□	†		

DA150-NS	dimension :	D = max. 2 figures	D1 = max. 4 figures
display colour :	R = red	G = green	
aux. supply :	1 = 24V DC	2 = 230V AC	
interface :	A = RS232C/V24 20mA/TTY RS422 RS485		
number of digits :	30 = 3 digits	40 = 4 digits	50 = 5 digits

GS Gebhardt & Schäfer Industrie-Elektronik GmbH

Porschestraße 11
D-51381 Leverkusen
Tel. +49 (0) 21 71 / 73 72 2 -0
Fax +49 (0) 21 71 / 73 72 2 -39
Internet: http://www.GS-GmbH.de
E-Mail: info@GS-GmbH.de

Köln Bank eG
IBAN: DE62 3716 0087 0940 9250 10
BIC: GENODED1CGN
Kreissparkasse Köln
IBAN: DE65 3705 0299 0312 0061 45
BIC: COKSDE33

Deutsche Bank AG
IBAN: DE30 3757 0024 0851 0851 00
BIC: DEUTDE3375
Foreign Payments:
Account-No. 851 085 1
S.W.I.F.T. DEUTDEB3 375

Geschäftsführer:
Karlheinz Schäfer
Guido Gebhardt
USt.-Nr. DE 123713297
Amtsgericht Köln, HRB 48860
D-U-N-S@: 340802073