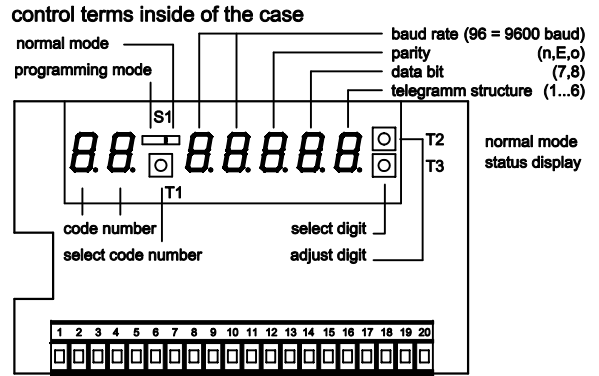
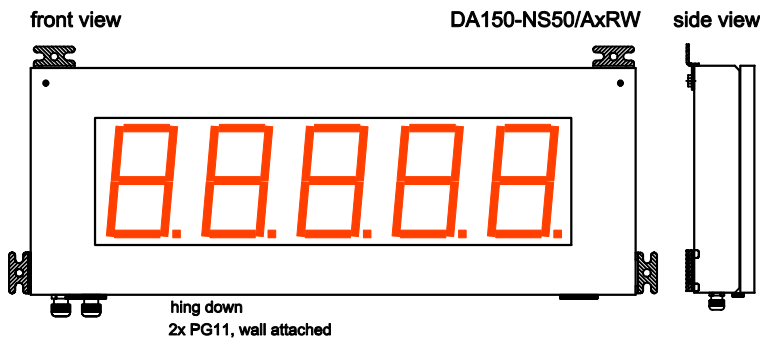


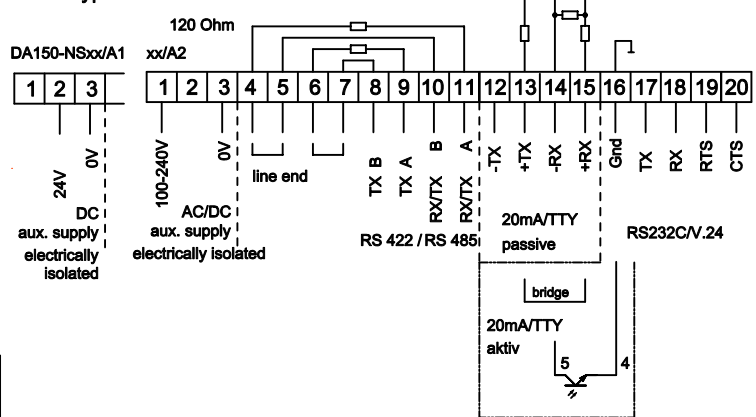
# Type: DA150-NSxx/AxxW serial interface



## programming

code no.	display	description
	0 0 0 0 0	
0	0 1 2 3	interface RS232 20mA/TTY RS485 RS422
1	1 2 0 0 2 4 0 0 4 8 0 0 9 6 0 0 1 9 2 0 0	baud 1200 baud 2400 baud 4800 baud 9600 baud 19200 baud
2	1 2 3 4 5	data format parity data bit n none 8 bit E even 7 bit o odd 7 bit E even 8 bit o odd 8 bit
3	1 2 3 4 5 6	telegram structure 1 D1 ... Dn timeout between 2 telegrams min. 200ms 2 STX D1 ... Dn ETX 3 STX address address D1 ... Dn ETX 4 SOH address address STX D1 ... Dn ETX 5 D1 ... Dn CR/LF 6 D1 ... Dn CR
4	0 0 - 1 9 9	device address 00 ... 99 (100 addresses adjustable) address 1 single-digit (-0 ... -9) address 99 double figures (00 ... 99)
5	0 1	leading zeros 0 = without 1 = with direction of writing right → left direction of writing left → right
6	0 0 9 9	blank out from up to 99 sign
7	0 0 1	0 = without comma 1 .. n = comma position 10 <sup>n</sup> - 10 <sup>n-1</sup> (2. - n Digit) at a negative value underlining off " minus + underlining on " - - - - -
8	0 0 0 1 9 9	timeout function deactivate 01 - 99 sec. after receive last telegram show the display -- 4/ --

## screw type terminals



## software function

function	ASCII	description
segment test	\$0	segment test on (up to the next telegram)
leading zeros	\$1 \$2	leading zeros displayed leading zeros suppressed
blinking sign	\$32	2 is blinking
blinking display	\$4 \$5	blinking on blinking off
direction of writing	\$6 \$7	left → right right → left

## case dimensions

DA150			steel tin mounting case powder seam RAL7032		outside dimension mm	
DA150-NS __ /xxW	DA150-NS __ /xxW D	DA150-NS __ /xxW D1	width x height x depth			
30	000		600			
40	0000	30 000 °C	700			
50	00000	40 0000 °C	30 000 km/h	800	300	80
		50 00000 °C	40 0000 km/h	900		
			50 00000 km/h	1000		

will be adjusted under code no. 4 (0 ... 9) address selection will be shorten equivalent to the telegram structure

## technical data

aux. supply	DA150-NSxx/A1...	18 - 35 V DC
	DA150-NSxx/A2...	100 - 240 V AC/DC
temperature range :	-20 °C...+65 °C	
display height:	150 mm	
display colour :	red or green	
protection kind :	IP65 front side	

## sign rate :

Hex	20	2C	2D	2E	30	31	32	33	34	35	36	37	38	39	3D	41	43	45	46	48	4C	50	55	5D	5F	62	63	64	68	6E	6F	72	75	78	7E
Digit	.	-	0	1	2	3	4	5	6	7	8	9	=	A	C	E	F	H	L	P	U	]	-	b	c	d	h	n	o	r	u	q	4		

## unknown sign



DA150-NS	__	/	__	W	__
dimension :	D = max. 2 figures		D1 = max. 4 figures		
display colour :	R = red		G = green		
aux. supply :	1 = 24V DC		2 = 230V AC		
interface :	A = RS232C/V24 20mA/TTY RS422 RS485				
number of digits :	30 = 3 digits		40 = 4 digits		50 = 5 digits

## GS Gebhardt & Schäfer Industrie-Elektronik GmbH

Porschstrasse 11  
D-51381 Leverkusen  
Tel. +49 (0) 21 71 / 73 72 2 -0  
Fax +49 (0) 21 71 / 73 72 2 -39  
Internet: <http://www.GS-GmbH.de>  
E-Mail: [info@GS-GmbH.de](mailto:info@GS-GmbH.de)

Kölner Bank eG  
IBAN: DE62 3716 0087 0940 9250 10  
BIC: GENODE33  
Kreissparkasse Köln  
IBAN: DE65 3705 0299 0312 0061 45  
BIC: COKSDE33

Deutsche Bank AG  
IBAN: DE30 3757 0024 0851 0851 00  
BIC: DEUTDE33  
Foreign Payments:  
Account-No. 851 085 1  
S.W.I.F.T. DEUTDEB 375

Geschäftsführer:  
Karlheinz Schäfer  
Guido Gebhardt  
USt.-Nr. DE 123713297  
Amtsgericht Köln, HRB 48860  
D-U-N-S@: 340802073