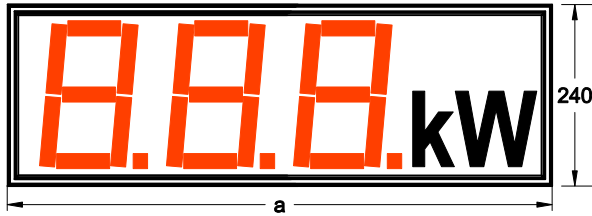
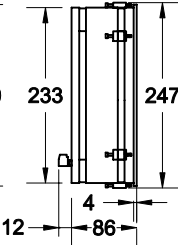


Type : DA200-NSxx/AxxE serial

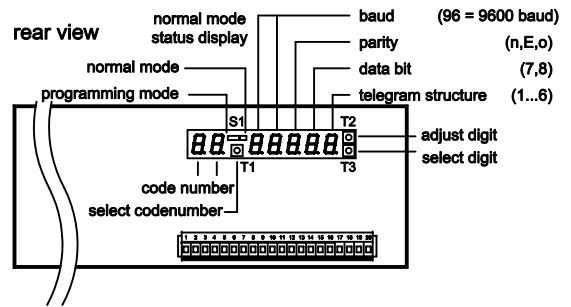
front view DA200-NS30/AxRED



side view



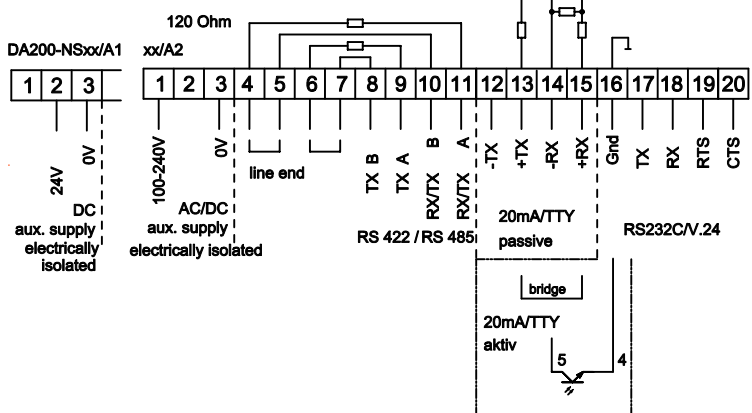
rear view



programming

| code no. | display | description | |
|----------|--------------------|--|--|
| | 0 0 0 0 0 | | |
| 0 | 0 | interface | RS232 |
| | 1 | | 20mA/TTY |
| | 2 | | RS485 |
| | 3 | | RS422 |
| 1 | 1 2 0 0 | baud | 1200 baud |
| | 2 4 0 0 | | 2400 baud |
| | 4 8 0 0 | | 4800 baud |
| | 9 6 0 0 | | 9600 baud |
| | 1 9 2 0 0 | | 19200 baud |
| 2 | 1 | data format | parity |
| | 2 | | none |
| | 3 | | even |
| | 4 | | odd |
| | 5 | | even |
| 3 | telegram structure | | |
| | 1 | D1 ... Dn | timeout between 2 telegrams min. 200ms |
| | 2 | STX | D1 ... Dn |
| | 3 | STX | address address D1 ... Dn |
| | 4 | SOH | address address STX D1 ... Dn |
| | 5 | D1 ... Dn | CR/LF |
| 4 | 0 0 | device address 00 ... 99 (100 addresses adjustable) | |
| | - 1 | address 1 single-digit (-0 ... -9) | |
| | 9 9 | address 99 double figures (00 ... 99) | |
| 5 | 0 | leading zeros 0 = without 1 = with | |
| | 1 | direction of writing right -> left | |
| 6 | 0 0 | blank out from up to 99 sign | |
| | 9 9 | | |
| 7 | 0 | 0 = without comma | |
| | 0 - | 1 .. n = comma position 10 ¹ - 10 ⁿ (2..n Digit) | |
| | 1 | at a negative value underlining off | |
| 8 | 0 0 | timeout function deactivate | |
| | 0 1 | 01 - 99 sec. after receive last telegramm | |
| | 9 9 | show the display -- f/ -- | |

screw type terminals



software function

| function | ASCII | description |
|----------------------|-------|--|
| segment test | \$0 | segment test on (up to the next telegramm) |
| leading zeros | \$1 | leading zeros displayed |
| | \$2 | leading zeros suppressed |
| blinking sign | \$32 | 2 is blinking |
| blinking display | \$4 | blinking on |
| | \$5 | blinking off |
| direction of writing | \$6 | left -> right |
| | \$7 | right -> left |

case dimensions

| DA200 | aluminium case powder seam | | bezel width [a] | cutout panel b x h |
|-------------------|------------------------------------|----------------------|-----------------|--------------------|
| | case depth (with terms) 86 (98) mm | | | |
| DA200-NS __ /xxxE | DA200-NS __ /xxxE D | DA200-NS __ /xxxE D1 | | |
| 30 | 888 | | 576 | 570 x 234 |
| 40 | 8888 | 30 888 °C | 720 | 714 x 234 |
| 50 | 88888 | 40 8888 °C | 912 | 906 x 234 |
| | | 50 88888 °C | 1056 | 1050 x 234 |
| | | 50 88888 km/h | 1248 | 1242 x 234 |

unknown sign

will be adjusted under code no. 4 (-0 ... -9) address selection will be shorten equivalent to the telegramm structure

technical data:

| | | |
|---------------------|------------------|-------------------|
| aux. supply | DA200-NSxx/A1... | 18 - 35 V DC |
| | DA200-NSxx/A2... | 100 - 240 V AC/DC |
| temperature range : | -20 °C...+65 °C | |
| display height : | 200 mm | |
| display colour : | red or green | |
| protection kind: | IP65 front side | |

signs

| Hex | 20 | 2C | 2D | 2E | 30 | 31 | 32 | 33 | 34 | 35 | 36 | 37 | 38 | 39 | 3D | 41 | 43 | 45 | 46 | 48 | 4C | 50 | 55 | 5D | 5F | 62 | 63 | 64 | 68 | 6E | 6F | 72 | 75 | 78 | 7E |
|-------|----|----|----|----|----|----|----|----|----|----|----|----|----|----|----|----|----|----|----|----|----|----|----|----|----|----|----|----|----|----|----|----|----|----|----|
| Digit | . | - | . | 0 | 1 | 2 | 3 | 4 | 5 | 6 | 7 | 8 | 9 | - | A | C | E | F | H | L | P | U |] | - | b | c | d | h | n | o | r | u | □ | ∇ | |

| DA200-NS | display colour : | dimension: | D = max. 2 figures | D1 = max. 4 figures |
|----------|------------------|------------|--------------------|----------------------|
| □ | | | R = red | G = green |
| □ | aux. supply : | | 1 = 24V DC | 2 = 230V AC |
| □ | interface : | | A = RS232CV24 | 20mA/TTY RS422 RS485 |
| □ | display : | | 30 = 3 digits | 40 = 4 digits |
| □ | | | | 50 = 5 digits |

GS Gebhardt & Schäfer Industrie-Elektronik GmbH

Porschestraße 11
D-51381 Leverkusen
Tel. +49 (0) 21 71 / 73 72 2 -0
Fax +49 (0) 21 71 / 73 72 2 -39
Internet: http://www.GS-GmbH.de
E-Mail: info@GS-GmbH.de

Kölnener Bank eG
IBAN: DE62 3716 0087 0940 9250 10
BIC: GENODED1CGN
Kreissparkasse Köln
IBAN: DE65 3705 0299 0312 0061 45
BIC: COKSDE33

Deutsche Bank AG
IBAN: DE30 3757 0024 0851 0851 00
BIC: DEUTDE33
Foreign Payments:
Account-No. 851 085 1
S.W.I.F.T. DEUTDE33

Geschäftsführer:
Karlheinz Schäfer
Guido Gebhardt
USt.-Nr. DE 123713297
Amtsgericht Köln, HRB 48860
D-U-N-S@: 340802073