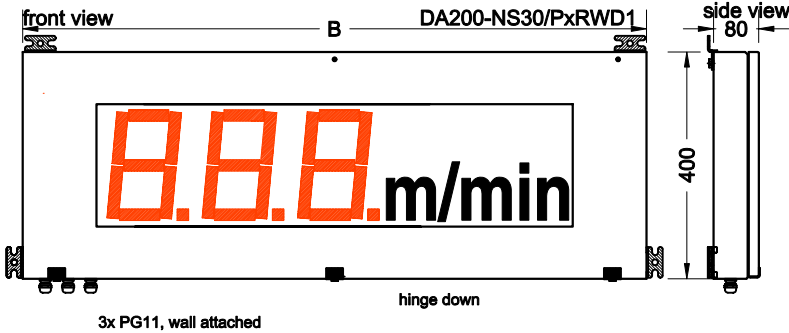


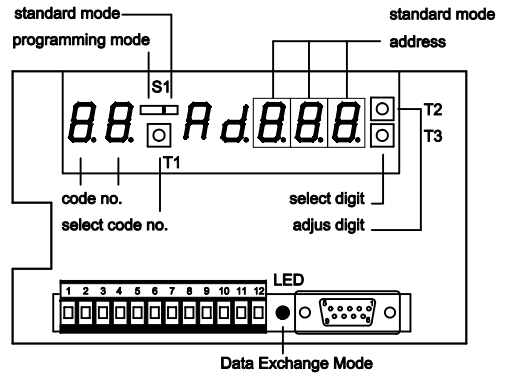
Type: DA200-NSxx/PxxW

interface

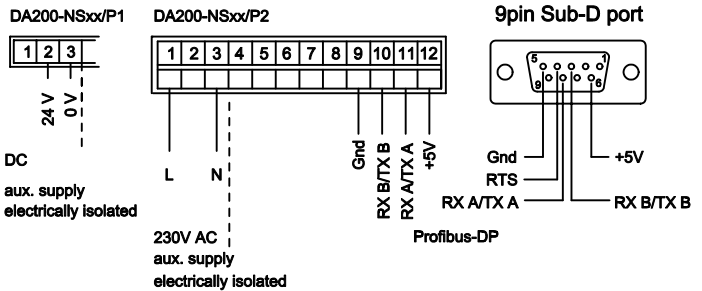
Profibus DP



control terms inside of the case



screw-type terminals



programming mode

code no.	display	description
0	Pr 0 0 0 1 2 7	address 1. device 128. device select digit with T3 adjust digit with T2
1	Pr 1 0 1	code BCD ASCII
	EEP	data will be saved

case dimensions

DA200			steel tin mounting case powder seam RAL9005		outside dimensions mm	
DA200-NS __ /xxW	DA200-NS __ /xxW D	DA200-NS __ /xxW D1	width x height x depth			
30	888		700	400	130	
40	8888	30 888 °C	900			
50	88888	40 8888 °C	1100	400	130	
		30 888 km/h	1200			
		50 88888 °C	1300			
		40 8888 km/h				
		50 88888 km/h				

technical data:

aux. supply:	DA200-NSxx/P1...	18 - 35 V DC
	DA200-NSxx/P2...	100 - 240 V AC
temperature range:		-20 °C....+65 °C
display height:		200 mm
LED colour:		red or green
baud rate (self-acting recognition):		≤ 12 MBaud
addresses (0 ...127):		input over keypad inside case
protocol:		Profibus-DP
hardware:		SPC3 Fieldbus side electrically isolated
protection kind:		IP65

telegram structure ASCII

byte	description	ASCII
1.	digit 1 $\cong 10^0$	3xH
2.	digit 2 $\cong 10^1$	3xH
3.	digit 3 $\cong 10^2$	3xH
4.	digit 4 $\cong 10^3$	3xH
5.	digit 5 $\cong 10^4$	3xH
6.		
7.	free	
8.	free	

decimal point at every position insertable

telegram structure BCD

byte	function
1.	10^1 10^0 1 1 1 1 1 1 1 1
2.	10^3 10^2 1 1 1 1 1 1 1 1
3.	free 10^4 X X X X X X X X
4.	free X X X X X X X X
5.	free X X X X X X X X
6.	free X X X X X X X X
7.	free X X X X X X X X
8.	free dec.point display X X X X 0 0 0 0 0 0 0 1 0000 0 0 1 0 000,0 0 0 1 1 00,000 0 1 0 0 0,0000

sign rate:

hex	20	2C	2D	2E	30	31	32	33	34	35	36	37	38	39	3D	41	43	45	46	48	4C	50	55	5D	5F	62	63	64	68	6E	6F	72	75	78	7E
digit	.	-	0	0	1	2	3	4	5	6	7	8	9	=	A	C	E	F	H	L	P	U]	_	b	c	d	h	n	o	r	u	□	□	□

unknown sign

DA200-NS	□	/P	□	W	□
dimension:	D = max. 2 figures	D1 = max. 4 figures			
display colour:	R = red	G = green			
aux. supply:	1 = 24V DC	2 = 230V AC			
interface:	P = Profibus DP				
display:	30 = 3 digits	40 = 4 digits	50 = 5 digits		

GS Gebhardt & Schäfer Industrie-Elektronik GmbH

Porschestr. 11
D-51381 Leverkusen
Tel. +49 (0) 21 71 / 73 72 2 -0
Fax +49 (0) 21 71 / 73 72 2 -39
Internet: <http://www.GS-GmbH.de>
E-Mail: info@GS-GmbH.de

Kölner Bank eG
IBAN: DE62 3716 0087 0940 9250 10
BIC: GENODE33
Kreissparkasse Köln
IBAN: DE65 3705 0299 0312 0061 45
BIC: COKSDE33

Deutsche Bank AG
IBAN: DE30 3757 0024 0851 0851 00
BIC: DEUTDE33
Foreign Payments:
Account-No. 851 085 1
S.W.I.F.T. DEUTDEB 375

Geschäftsführer:
Karlheinz Schäfer
Guido Gebhardt
USt.-Nr. DE 123713297
Amtsgericht Köln, HRB 48860
D-U-N-S@: 340802073