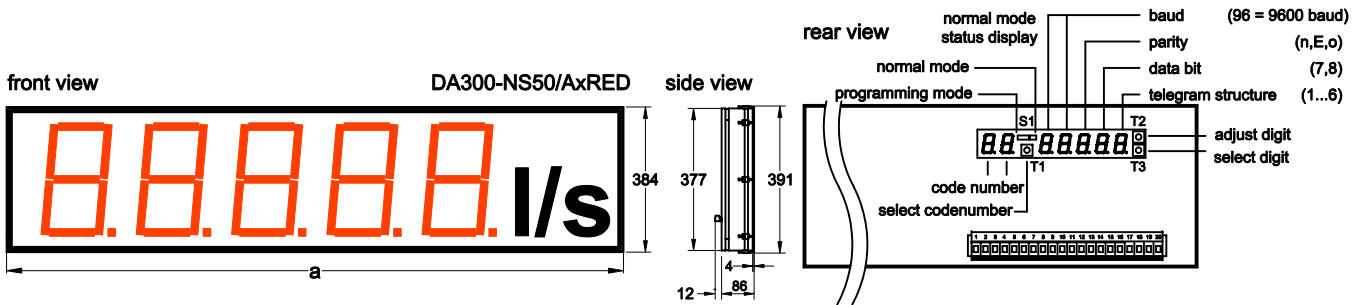


Type : DA300-NSxx/AxxE serial



programming

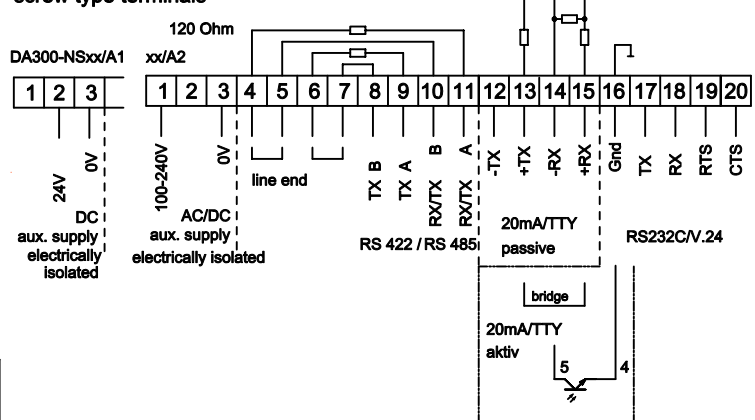
code no.	display	description
	0 0 0 0 0	
0	0 1 2 3	interface RS232 20mA/TTY RS485 RS422
1	1 2 0 0 2 4 0 0 4 8 0 0 9 6 0 0 1 9 2 0 0	baud 1200 2400 4800 9600 19200
2	1 2 3 4 5	data format parity data bit n none 8 bit E even 7 bit o odd 7 bit E even 8 bit o odd 8 bit
3	1 2 3 4 5 6	telegramm structure 1 D1 ... Dn timeout between 2 telegramms min. 200ms 2 STX D1 ... Dn ETX 3 STX address address D1 ... Dn 4 SOH address address STX D1 ... Dn ETX 5 D1 ... Dn CR/LF 6 D1 ... Dn CR
4	0 0 - 1 9 9	device address 00 ... 99 (100 addresses adjustable) address 1 single-digit (-0 ... -9) address 99 double figures (00 ... 99)
5	0 1	leading zeros 0 = without 1 = with direction of writing right → left direction of writing left → right
6	0 0 9 9	blank out from up to 99 sign
7	0 0 1	0 = without comma 1 ... n = comma position 10 ¹ - 10 ⁿ (2..n Digit) at a negative value underlining off " minus + underlining on - - - -
8	0 0 0 1 9 9	timeout function deactivate 01 - 99 sec. after receive last telegramm show the display -- f t --

will be adjusted under code no. 4 (-0 ... -9) address selection will be shorten equivalent to the telegramm structure

technical data:

aux. supply :	DA300-NSxx/A1...	18 - 35 V DC
	DA300-NSxx/A2...	100 - 240 V AC/DC
temperature range :	-20 °C...+65 °C	
display height :	300 mm	
display colour :	red or green	
protection kind:	IP65 front side	

screw type terminals



software function

function	ASCII	description
segment test	\$0	segment test on (up to the next telegramm)
leading zeros	\$1 \$2	leading zeros displayed leading zeros suppressed
blinking sign	\$32	2 is blinking
blinking display	\$4 \$5	blinking on blinking off
direction of writing	\$6 \$7	left → right right → left

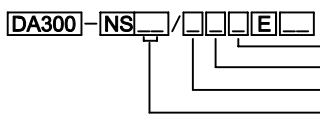
case dimensions

DA300	aluminium case powder seam		bezel width [a]	cutout panel b x h
	case depth (with terms) 86 (98) mm			
DA300-NS __ /xxxE D	DA300-NS __ /xxxE D	DA300-NS __ /xxxE D1		
30	888		816	810 x 378
40	8888	30 888 °C	1104	1098 x 378
50	88888	40 8888 °C	1344	1338 x 378
		50 88888 °C	1632	1626 x 378
		50 88888 km/h	1824	1818 x 378

signs

Hex	20	2C	2D	2E	30	31	32	33	34	35	36	37	38	39	3D	41	43	45	46	48	4C	50	55	5D	5F	62	63	64	68	6E	6F	72	75	78	7E
Digit	.	-	0	1	2	3	4	5	6	7	8	9	=	A	C	E	F	H	L	P	U]	-	b	c	d	h	n	o	r	u	□	†		

unknown sign



dimension:	D = max. 2 figures	D1 = max. 4 figures
display colour :	R = red	G = green
aux. supply :	1 = 24V DC	2 = 230V AC
interface :	A = RS232CV24 20mA/TTY RS422 RS485	
display :	30 = 3 digits	40 = 4 digits
		50 = 5 digits

GS Gebhardt & Schäfer Industrie-Elektronik GmbH

Porschstrasse 11
D-51381 Leverkusen
Tel. +49 (0) 21 71 / 73 72 2 -0
Fax +49 (0) 21 71 / 73 72 2 -39
Internet: http://www.GS-GmbH.de
E-Mail: info@GS-GmbH.de

Kölnener Bank eG
IBAN: DE62 3716 0087 0940 9250 10
BIC: GENODE33CGN
Kreissparkasse Köln
IBAN: DE65 3705 0299 0312 0061 45
BIC: COKSDE33

Deutsche Bank AG
IBAN: DE30 3757 0024 0851 0851 00
BIC: DEUTDE3375
Foreign Payments:
Account-No. 851 085 1
S.W.I.F.T. DEUTDEB3 375

Geschäftsführer:
Karlheinz Schäfer
Guido Gebhardt
USt.-Nr. DE 123713297
Amtsgericht Köln, HRB 48860
D-U-N-S@: 340802073