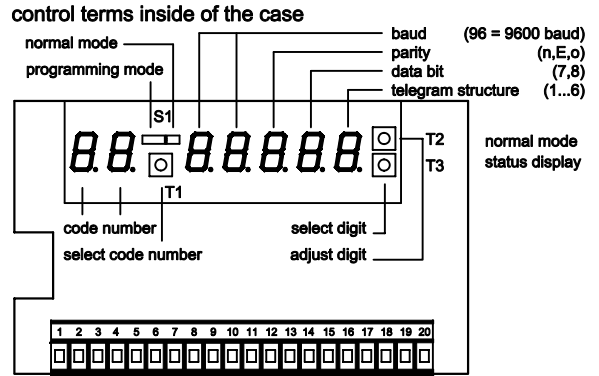
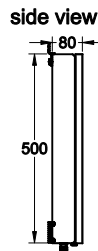
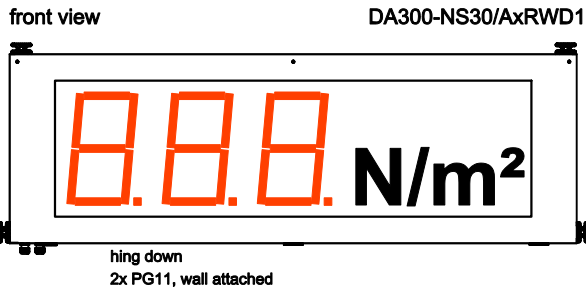


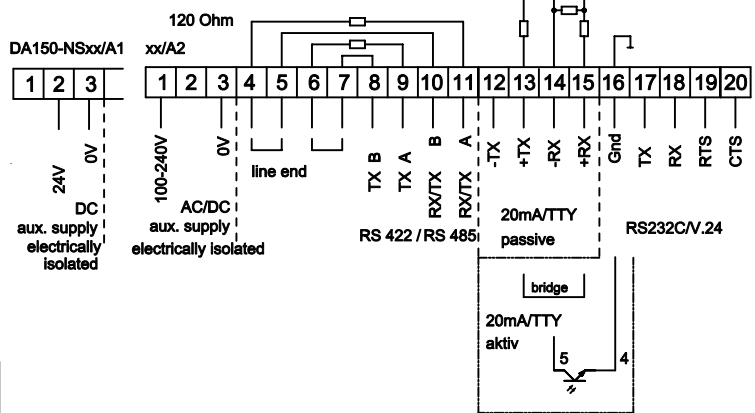
Type: DA300-NSxx/AxxW serial



programming

code no.	display	description	
	0 0 0 0 0		
0	0	interface	RS232
	1		20mA/TTY
	2		RS485
	3		RS422
1	1 2 0 0	baud	1200 baud
	2 4 0 0		2400 baud
	4 8 0 0		4800 baud
	9 6 0 0		9600 baud
	1 9 2 0 0		19200 baud
2	1	data format	parity
	2		none
	3		even
	4		odd
	5		even
	6		odd
3		telegram structure	
	1	D1 ... Dn	timeout between 2 telegramms min. 200ms
	2	STX	D1 ... Dn
	3	STX	address address D1 ... Dn
	4	SOH	address address STX D1 ... Dn
	5	D1 ... Dn	CR/LF
	6	D1 ... Dn	CR
4	0 0	device address 00 ... 99	(100 addresses adjustable)
	- 1	address 1	single-digit (-0 ... -9)
	9 9	address 99	double figures (00 ... 99)
5	0	leading zeros	0 = without 1 = with
	1	direction of writing	right → left
	1	direction of writing	left → right
6	0 0	blank out from up to 99 sign	
	9 9		
7	0	0	= without comma
	0	1 ... n	= comma position 10 ⁿ - 10 ⁿ⁻¹ (2. - n Digit)
	0		at a negative value underlining off
	1		minus + underlining on -- --
8	0 0	timeout function deactivate	
	0 1	01 - 99 sec. after receive last telegramm	
	9 9	show the display -- f f --	

screw type terminals



software function

function	ASCII	description
segment test	\$0	segment test on (up to the next telegramm)
leading zeros	\$1	leading zeros displayed
zeros	\$2	leading zeros suppressed
blinking sign	\$32	2 is blinking
blinking display	\$4	blinking on
	\$5	blinking off
direction of writing	\$6	left → right
	\$7	right → left

case dimensions

DA300			steel tin mounting case powder seam RAL 7032		outside dimensions mm	
DA300-NS __ /xxW	DA300-NS __ /xxW D	DA300-NS __ /xxW D1	width x height x depth			
30	1000					
40	1300	30				
50	1500	40				
	1800	50				
	2100	50				

unknown sign

Hex	20	2C	2D	2E	30	31	32	33	34	35	36	37	38	39	3D	41	43	44	45	46	48	4C	50	55	5D	5F	62	63	64	68	6E	6F	72	75	78	7E
Digit	.	-	0	1	2	3	4	5	6	7	8	9	=	A	C	E	F	H	L	P	U]	_	b	c	d	h	n	o	r	u	□	△			

DA300-NS	/		/		W
dimension :					
display colour :					
aux. supply :					
interface :					
display :					
D = max. 2 figures					
D1 = max. 4 figures					
R = red					
G = green					
1 = 24V DC					
2 = 230V AC					
A = RS232C/V24 20mA/TTY RS422 RS485					
30 = 3 digits					
40 = 4 digits					
50 = 5 digits					

GS Gebhardt & Schäfer Industrie-Elektronik GmbH

Porschestr. 11
D-51381 Leverkusen
Tel. +49 (0) 21 71 / 73 72 2 -0
Fax +49 (0) 21 71 / 73 72 2 -39
Internet: <http://www.GS-GmbH.de>
E-Mail: info@GS-GmbH.de

Kölner Bank eG
IBAN: DE62 3716 0087 0940 9250 10
BIC: GENODE33
Kreissparkasse Köln
IBAN: DE65 3705 0299 0312 0061 45
BIC: COKSDE33

Deutsche Bank AG
IBAN: DE30 3757 0024 0851 0851 00
BIC: DEUTDE33
Foreign Payments:
Account-No. 851 085 1
S.W.I.F.T. DEUTDE33

Geschäftsführer:
Karlheinz Schäfer
Guido Gebhardt
USt.-Nr. DE 123713297
Amtsgericht Köln, HRB 48860
D-U-N-S@: 340802073