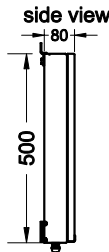
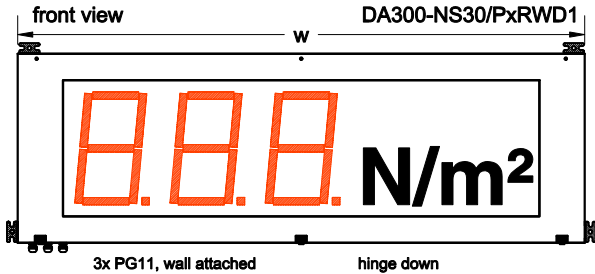
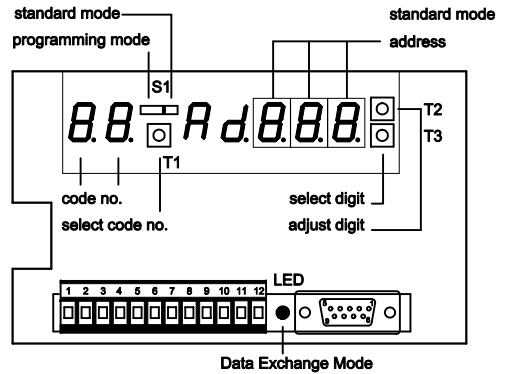


Type: DA300-NSxx/PxxW

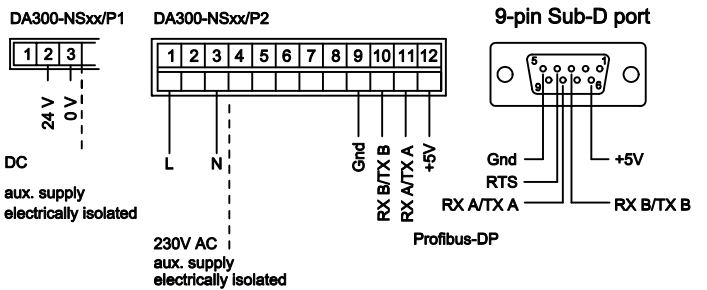
interface ProfiBus DP



control terms inside of the case



screw-type terminals



programming mode

code no.	display	description
0	Pr 0 0 0 1 2 7	address 1. device 128. device select digit with T3 adjust digit with T2
1	Pr 1 0 1	code BCD ASCII
	EEP	data will be saved

case dimensions

DA300			steel tin mounting case powder-coated RAL 9005		outside measurement	
DA300-NS__/_xxW	DA300-NS__/_xxW D	DA300-NS__/_xxW D1	width	x height	x width	
30	000		1000	500	80	
40	0000	30 000 °C	1300			
50	00000	40 0000 °C	1500			
		30 000 km/h	1800			
		50 00000 °C	2100			
		40 0000 km/h				
		50 00000 km/h				

technical data:

aux. supply:	DA300-NSxx/P1...	18 - 35 V DC
	DA300-NSxx/P2...	100 - 240 V AC
temperature range:		-20 °C....+65 °C
display height:		300 mm
LED colour:		red or green
baud rate (self-acting recognition):		≤ 12 MBaud
address (0 ...127):		inside of the shell, input over keypad
protocol:		Profibus-DP
hardware:		SPC3 Fieldbus side electrically isolated
protection kind:		IP65

telegram structure ASCII

byte	description	ASCII
1.	digit 1 $\approx 10^0$	3xH
2.	digit 2 $\approx 10^1$	3xH
3.	digit 3 $\approx 10^2$	3xH
4.	digit 4 $\approx 10^3$	3xH
5.	digit 5 $\approx 10^4$	3xH
6.		
7.	free	
8.	free	

decimal point at every position insertable

telegram structure BCD

byte	function
1.	10^1 10^0
2.	10^3 10^2
3.	free 10^4
4.	free free
5.	free free
6.	free free
7.	free free
8.	free dec.point display

sign rate:

hex	20	2C	2D	2E	30	31	32	33	34	35	36	37	38	39	3D	41	43	45	46	48	4C	50	55	5D	5F	62	63	64	68	6E	6F	72	75	78	7E
digit	.	-	0	1	2	3	4	5	6	7	8	9	=	A	C	E	F	H	L	P	U]	-	b	c	d	h	n	o	r	u	□	4	□	

DA300-NS	LED colour:	D = max. 2 figures	D1 = max. 4 figures
W	aux. supply:	R = red	G = green
	Interface:	1 = 24V DC	2 = 230V AC
	number of digits:	P = Profi Bus DP	
		30 = 3 digits	40 = 4 digits
			50 = 5 digits

GS Gebhardt & Schäfer Industrie-Elektronik GmbH

Porschestr. 11
D-51381 Leverkusen
Tel. +49 (0) 21 71 / 73 72 2 -0
Fax +49 (0) 21 71 / 73 72 2 -39
Internet: <http://www.GS-GmbH.de>
E-Mail: info@GS-GmbH.de

Kölner Bank eG
IBAN: DE62 3716 0087 0940 9250 10
BIC: GENODE33
Kreissparkasse Köln
IBAN: DE65 3705 0299 0312 0061 45
BIC: COKSDE33

Deutsche Bank AG
IBAN: DE30 3757 0024 0851 0851 00
BIC: DEUTDE33
Foreign Payments:
Account-No. 851 085 1
S.W.I.F.T. DEUTDEB 375

Geschäftsführer:
Karlheinz Schäfer
Guido Gebhardt
USt.-Nr. DE 123713297
Amtsgericht Köln, HRB 48860
D-U-N-S@: 340802073