

Type: **DBA-EA23/Lxxx**



PT1000 TEMPERATURE

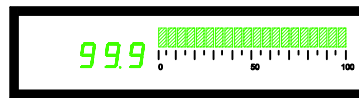
case 96 x 24 mm

programming

CN = code number

CN	display	description
0	1	PT1000 -19,9...99,9 °C
	2	PT1000 -199...800 °C
	3	PT1000 °Celsius
	4	PT1000 °Fahrenheit
1	1	zero adjustment for PT1000 2-/3-wire carry out zero adjustment
	0	delete zero adjustment
2	0	zero adjustment take-over with T3
	0	0 = scale direction from below upward reciprocal display value for 1 = 3-digit display and scale 2 = only 3-digit display 3 = only scale
4	4	4 = scale(point) direction from below upward reciprocal display value for 5 = 3-digit display and scale 6 = only 3-digit display only scale
	8	8 = scale direction from above downward reciprocal display value for 9 = 3-digit display and scale A = only 3-digit display b = only scale
6	c	c = scale(point) direction from above downward reciprocal display value for d = 3-digit display and scale E = only 3-digit display F = only scale

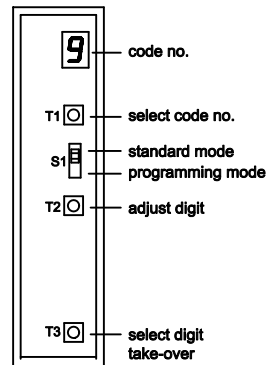
DBA-EA23/LxxGQ



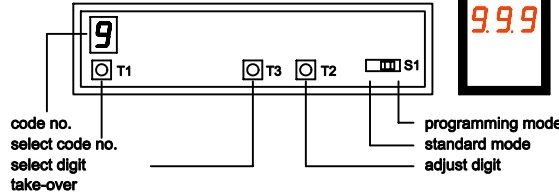
-EA23/LxxRH



controls behind front glass



controls behind front glass

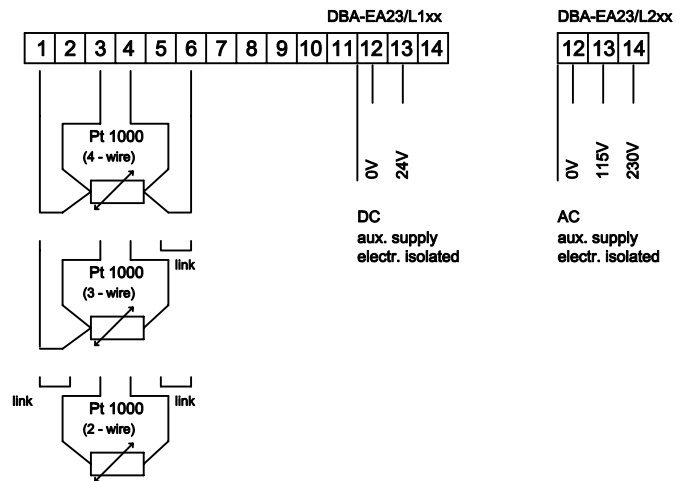


display-messages

EEP	EEProm under programming
---	overflow (flashing of display segments in the middle)
-	line-break indication

technical data

aux. supply:	DBA-EA23/L1xxx:	18-35V DC
	DBA-EA23/L2xxx:	115/230V AC
power consumption:	max. 2,5 VA	
measuring range:	PT1000	-100 to 199 °C
	PT1000	-199 to 800 °C
	PT1000	-100 to 199 °F
	PT1000	-199 to 999 °F
conversion rate:	approx. 1 per second	
principle of measurement:	dual-slope-integration	
error of measurement:	+/- 0,01% of measured value, +/- 1 digit/segment	
overflow:	flashing of display segments in the middle and each 2nd bragraph segment	
average value:	adjustable from 1 to 500 measurements	



display height:	7 mm	3 digits
resolution:	-99...999	
scale length:	50 mm	20 segments
scale resolution:	1 segment	
end value of scale is according to adjusted max. display value		
panel cutout:	92(+0,8) x 22,2(+0,3) mm	
mount.depth (without plug):	114 mm (102 mm)	
bezel height:	7,5 mm	
option:	Min.-Max.-memory function controls are accessible through the front glass recall min.- and max.-value with key T2 and T3	

DBA - [EA][][L][][0][][M] - addition for min./max.memory function

mounting:	H = vertical	Q = horizontal
LED colour:	R = red	G = green
Option:	see data sheet at the end of chapter	
aux.supply:	1 = 24V DC	2 = 115/230V AC
display:	23 = 20 segments + 3-digit LED	

GS Gebhardt & Schäfer Industrie-Elektronik GmbH

Porschestr. 11
D-51381 Leverkusen
Tel. +49 (0) 21 71 / 73 72 2 -0
Fax +49 (0) 21 71 / 73 72 2 -39
Internet: <http://www.GS-GmbH.de>
E-Mail: info@GS-GmbH.de

Kölner Bank eG
IBAN: DE62 3716 0087 0940 9250 10
BIC: GENODED1CGN
Kreissparkasse Köln
IBAN: DE65 3705 0299 0312 0061 45
BIC: COKSDE33

Deutsche Bank AG
IBAN: DE30 3757 0024 0851 0851 00
BIC: DEUTDE33
Foreign Payments:
Account-No. 851 085 1
S.W.I.F.T. DEUTDEB 375

Geschäftsführer:
Karlheinz Schäfer
Guido Gebhardt
USt.-Nr. DE 123713297
Amtsgericht Köln, HRB 48860
D-U-N-S@: 340802073