

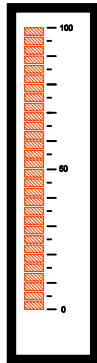
Type: DBA-EA30/Lxxxx

PT1000 TEMPERATURE

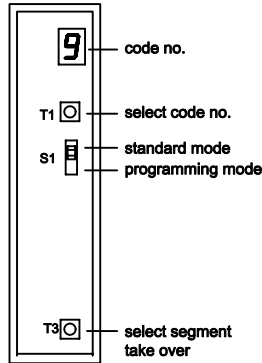


case 96 x 24 mm

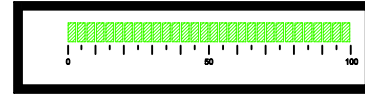
DBA-EA30/LxxRH



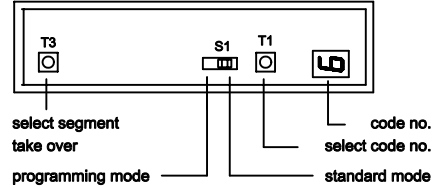
controls behind front glass



DBA-EA30/LxxGQ



controls behind front glass

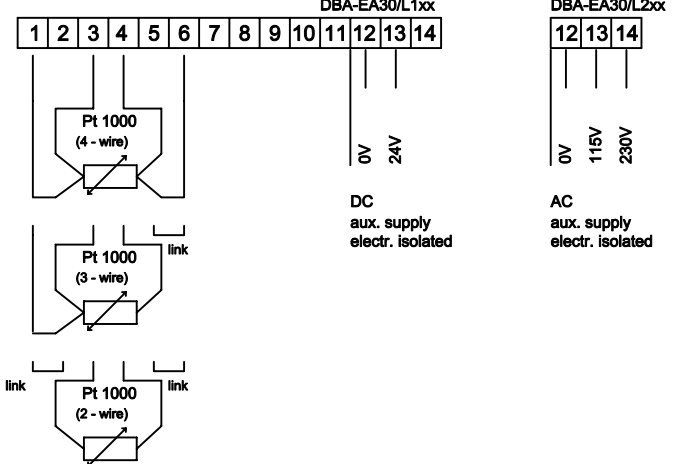


programming mode

CN = code number

CN	scale	description
0	1st segment on	measuring range 0-200 °C
	2nd segment on	measuring range 0-800 °C
	3rd segment on	measuring range 0-200 °F
	4th segment on	measuring range 0-1472 °F
1		zero adjustment for PT1000 2-/3-wire
	1st segment on	carry out zero adjustment
	2nd segment on	delete zero adjustment
2	3rd segment on	zero adjustment take over with T3
4	1st segment on	full scale indication
	2nd segment on	point scale indication
	3rd segment on	full scale indication zero center
	4th segment on	point scale indication zero center

rear connector with screw-type terminals



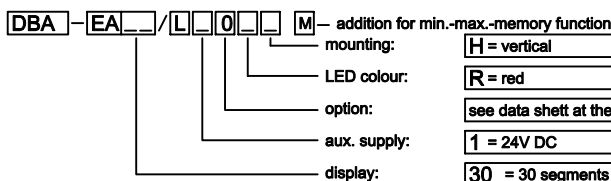
display messages

EEProm under programming	EE T T T T T T T T T T T T T T T T
overflow (flashing of display segments in the middle)	EE EE EE EE EE EE EE EE EE EE
line-break indication	EE T T T T T T T T T T T T T T T T

technical data

aux. supply:	DBA-EA30/L1xxx: 18-35V DC	DBA-EA30/L2xxx: 115/230V AC
power consumption:	max. 2,5 VA	
measuring range:	PT1000 0-200 °C	PT1000 0-800 °C
	PT1000 0-200 °F	PT1000 0-1472 °F
conversion rate:	approx. 1 per second	
principle of measurement:	dual-slope-integration	
error of measurement:	+/- 1 K, +/- 1 segment	
overflow:	flashing of each 2nd segment	

scale length:	75 mm	30 segments
resolution:	1 segment	
panel cutout:	92(+0,8) x 22,2(+0,3) mm	
mount.depth (without plug):	114mm (102 mm)	
bezel height:	7,5 mm	
option:	Min.-Max.-memory-function	
controls are accessible through the front glass, recall min.- and max.-value with key T2 and T3		



GS Gebhardt & Schäfer Industrie-Elektronik GmbH

Porschestraße 11
 D-51381 Leverkusen
 Tel. +49 (0) 21 71 / 73 72 2 -0
 Fax +49 (0) 21 71 / 73 72 2 -39
 Internet: <http://www.GS-GmbH.de>
 E-Mail: info@GS-GmbH.de

Kölner Bank eG
 IBAN: DE62 3716 0087 0940 9250 10
 BIC: GENODE33
 Kreissparkasse Köln
 IBAN: DE65 3705 0299 0312 0061 45
 BIC: COKSDE33

Deutsche Bank AG
 IBAN: DE30 3757 0024 0851 0851 00
 BIC: DEUTDE33
 Foreign Payments:
 Account-No. 851 085 1
 S.W.I.F.T. DEUTDE33 375

Geschäftsführer: 2.7
 Karlheinz Schäfer
 Guido Gebhardt
 USt.-Nr. DE 123713297
 Amtsgericht Köln, HRB 48860
 D-U-N-S@: 340802073