

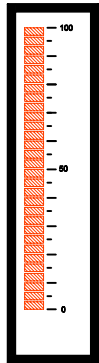
Type: DBA-EA30/Mxxxx

PT100 TEMPERATURE

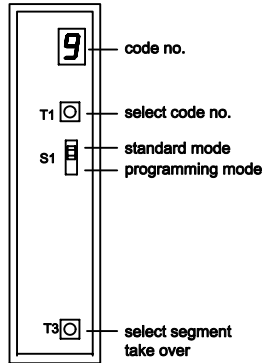


case 96 x 24 mm

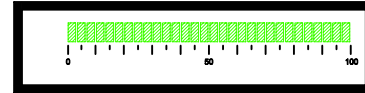
DBA-EA30/MxxRH



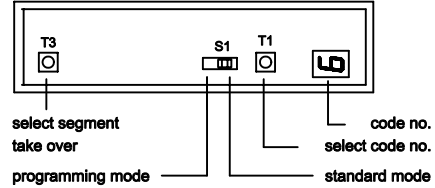
controls behind front glass



DBA-EA30/MxxGQ



controls behind front glass

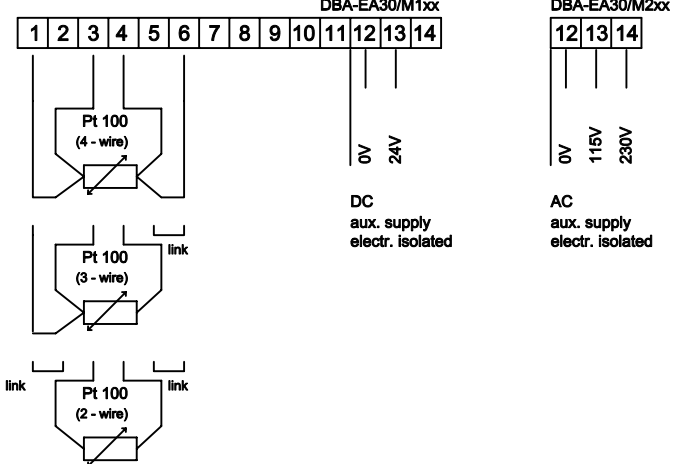


programming mode

CN = code number

CN	scale	description
0	1st segment on	measuring range 0-200 °C
	2nd segment on	measuring range 0-800 °C
	3rd segment on	measuring range 0-200 °F
	4th segment on	measuring range 0-1472 °F
1		zero adjustment for PT100 2-/3-wire
	1st segment on	carry out zero adjustment
	2nd segment on	delete zero adjustment
2	3rd segment on	zero adjustment take over with T3
4	1st segment on	full scale indication
	2nd segment on	point scale indication
	3rd segment on	full scale indication zero center
	4th segment on	point scale indication zero center

rear connector with screw-type terminals



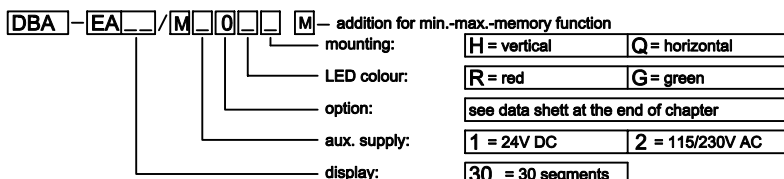
display messages

EEPROM under programming	EE T T T T T T T T T T T T T T T T
overflow (flashing of display segments in the middle)	EE EE EE EE EE EE EE EE EE EE
line-break indication	EE T T T T T T T T T T T T T T T T

technical data

aux. supply:	DBA-EA30/M1xxx:	18-35V DC
	DBA-EA30/M2xxx:	115/230V AC
power consumption:	max. 2,5 VA	
measuring range:	PT100	0-200 °C
	PT100	0-800 °C
	PT100	0-200 °F
	PT100	0-1472 °F
conversion rate:	approx. 1 per second	
principle of measurement:	dual-slope-integration	
error of measurement:	+/- 1 K, +/- 1 segment	
overflow:	flashing of each 2nd segment	

scale length:	75 mm	30 segments
resolution:	1 segment	
panel cutout:	92(+0,8) x 22,2(+0,3) mm	
mount.depth (without plug):	114 mm (102 mm)	
bezel height:	7,5 mm	
option:	Min.-Max.-memory-function	
controls are accessible through the front glass, recall min.- and max.-value with key T2 and T3		



GS Gebhardt & Schäfer Industrie-Elektronik GmbH

Porschestr. 11
D-51381 Leverkusen
Tel. +49 (0) 21 71 / 73 72 2 -0
Fax +49 (0) 21 71 / 73 72 2 -39
Internet: <http://www.GS-GmbH.de>
E-Mail: info@GS-GmbH.de

Kölner Bank eG
IBAN: DE62 3716 0087 0940 9250 10
BIC: GENODE33
Kreissparkasse Köln
IBAN: DE65 3705 0299 0312 0061 45
BIC: COKSDE33

Deutsche Bank AG
IBAN: DE30 3757 0024 0851 0851 00
BIC: DEUTDE33
Foreign Payments:
Account-No. 851 085 1
S.W.I.F.T. DEUTDEB 375

Geschäftsführer: 2.7
Karlheinz Schäfer
Guido Gebhardt
USt.-Nr. DE 123713297
Amtsgericht Köln, HRB 48860
D-U-N-S@: 340802073