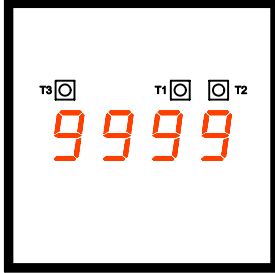


# Type: DA12-NA40/Mxxx PT100 Temperature



## DA12-NA40/M10R-7

Case 72 x 72 mm



## DA12-NA40/M10R-4

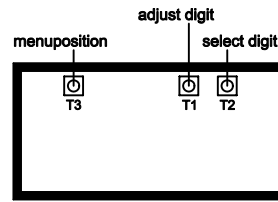
Case 72 x 48 mm



positions of push-buttons with package  
size 72 x 36 / 48 / 72 mm (w x h)

## DA12-NA40/M10R-3

Case 72 x 36 mm

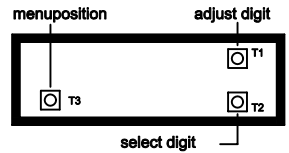


## DA12-NA40/M10R

Case 72 x 24 mm



Controls behind front glass

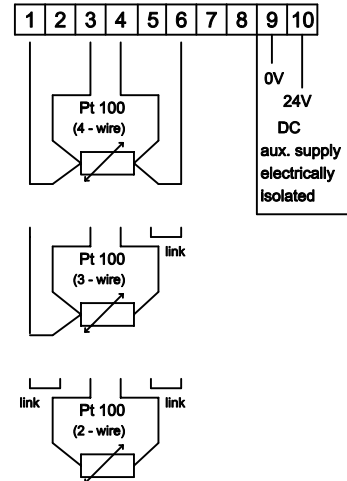


### Programming mode

Enter into programming mode by operating of push-button T3

after operating of	display	description
T3	___ 1	PT100 0 .. 199,9 °C / -32 .. 392 °F
	___ 2	PT100 0 .. 800 °C / -32 .. 1472 °F
	□ C	PT100 °Celsius
	□ F	PT100 °Fahrenheit
T3	— — — —	zero adjustment PT100 2-/3-wire
	— 1 — —	carry out zero adjustment
	— 0 — —	delete zero adjustment
T3		zero adjustment take over with T3

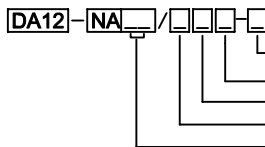
rear connector with screw-type terminals



### Technical data

aux. supply:	18-35V DC
power consumption:	max. 2,5 VA
measuring range:	PT100 -100,0 to 199,9 °C
	-200 to 800 °C
	-148 to 392 °F
	-328 to 1472 °F
conversion rate:	approx. 1 per second
principle of measurement:	dual-slope-integration
error of measurement:	+/- 0,01% of measured value, +/- 1 digit/segment
resolution:	+/- 1 K (PT100 200 °C : +/- 0,1K)
overflow:	lighting-up of display segments in the middle
display:	14 mm, LED red or green

panel cutout:	DA12-NA40/M10x:	68(+0,7) x 22,2(+0,3) mm
	DA12-NA40/M10x-3:	68(+0,7) x 33(+0,6) mm
	DA12-NA40/M10x-4:	68(+0,7) x 45(+0,6) mm
	DA12-NA40/M10x-7:	68(+0,7) x 68(+0,7) mm
mounting depth (without plug):		114 mm (102 mm)
bezel height:		5,25 mm



without indication = 72 x 24mm	3 = 72 x 36 mm	4 = 72 x 48 mm	7 = 72 x 72 mm
R = Red	G = Green		
1 = 24VDC			
M = PT100 Temperatur			
40 = 4 digits			



### GS Gebhardt & Schäfer Industrie-Elektronik GmbH

Porschestr. 11  
D-51381 Leverkusen  
Tel. +49 (0) 21 71 / 73 72 2 -0  
Fax +49 (0) 21 71 / 73 72 2 -39  
Internet: <http://www.GS-GmbH.de>  
E-Mail: [info@GS-GmbH.de](mailto:info@GS-GmbH.de)

Kölner Bank eG  
IBAN: DE62 3716 0087 0940 9250 10  
BIC: GENODED1CGN  
Kreissparkasse Köln  
IBAN: DE65 3705 0299 0312 0061 45  
BIC: COKSDE33

Deutsche Bank AG  
IBAN: DE30 3757 0024 0851 0851 00  
BIC: DEUTDEDB375  
Foreign Payments:  
Account-No. 851 085 1  
S.W.I.F.T. DEUTDEDB 375

Geschäftsführer: 3.3  
Karlheinz Schäfer  
Guido Gebhardt  
USt.-Nr. DE 123713297  
Amtsgericht Köln, HRB 48860  
D-U-N-S®: 340802073